



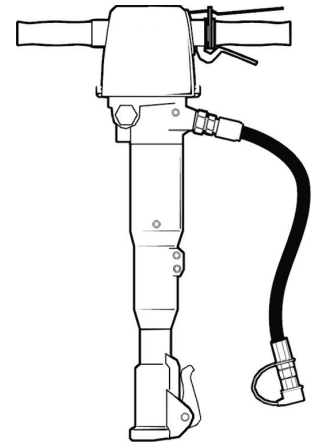
**Chicago
Pneumatic**

Spare parts list

Handheld hydraulic breakers

BRK 95, 95 VR, 95 HBP

Valid from serial number
351400
BGF000001



General information

This spare parts list applies to the following:

Part number	Description
1801374685	BRK 95 HBP (11/8 x 6 in.)
1801374729	BRK 95 VR (11/4 x 6 in.)
1801374675	BRK 95 (11/4 x 6 in.)
1801374730	BRK 95 VR (11/4 x 6 1/4 in.)
1801374609	BRK 95 (11/4 x 6 1/4 in.)
1801374676	BRK 95 HBP (11/4 x 6 in.)
1801374759	BRK 95 VR HBP (11/8 x 6 in.)
1801374760	BRK 95 VR HBP (11/4 x 6 in.)

Use only authorized parts. Any damage or malfunction caused by the use of unauthorized parts is not covered by Warranty or Product Liability. Any unauthorized use or copying of the contents or any part thereof is prohibited. This applies in particular to trademarks, model denominations, part numbers, and drawings.

Instructions for use

This spare parts list contains no safety regulations and is merely intended to assist in the ordering of spare parts.

For information about operating, servicing, or repairing, the relevant Safety and operating instructions must be consulted at all costs.

Please observe the safety instructions listed in the relevant Safety and operating instructions!

Contents

Spare parts list

BRK 95, 95 VR	1
BRK 95 HBP	5
Nose parts	9
Handle standard	11
VR-handle	13

Tightening torque

Tightening torque	16
-------------------	----

Working tools

US standard hexagon 1¼ x 6 in.	19
US standard hexagon 1¼ x 6¼ in.	22

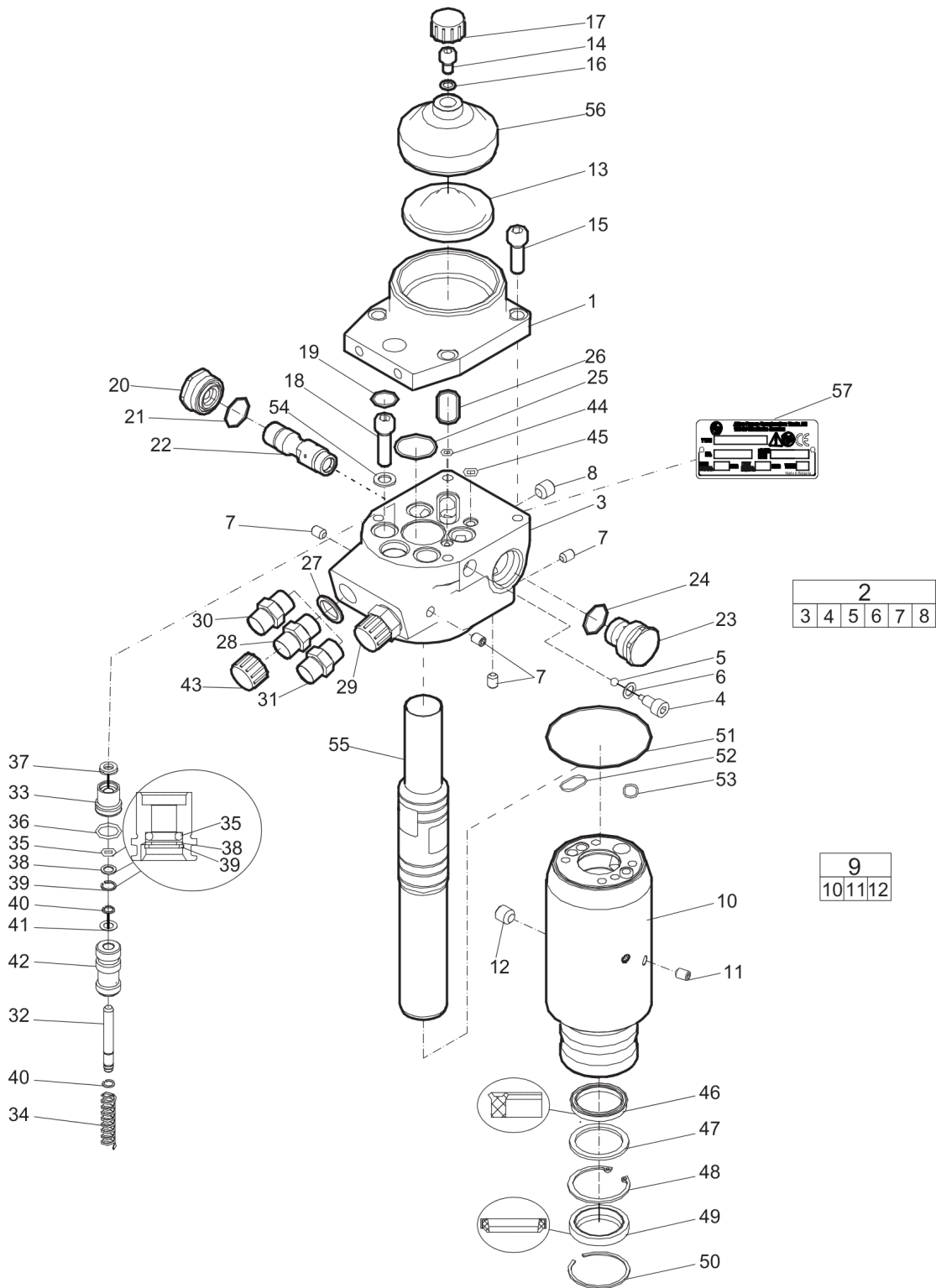
Accessories

Hoses and couplings	26
---------------------	----

Kits

Label kit	29
Seal kit	31
Trigger valve kit	33
Accumulator kit	35

Spare parts list BRK 95, 95 VR



Refer to Parts Online for the most up to date information. The printed information might be outdated.

Fri Jun 26 01:54:12 MDT 2015

Item	Part No.	Name	Qty	L
1	3371820101	Accumulator body	1	
2	3371820085	Valve housing, complete	1	
3	--	Valve housing	1	
4	3371820262	Check valve screw	1	
5	3371820717	Ball	1	
6	3371820718	Seal ring, Ø 0.35 x 0.55 x 0.04 in. (Ø 9 x 14 x 1 mm)	1	
7	3371814733	Fitting	5	
8	3371813141	Threaded plug	2	
9	3371820075	Cylinder, complete	1	
10	--	Cylinder	1	
11	3371814733	Fitting	1	
12	3371813141	Threaded plug	1	
13	3371814052	Diaphragm	1	
14	3371813103	Charging screw	1	
15	3371817720	Screw, M10 x 30 mm	4	
16	3371814709	Seal ring, Ø 0.34 X 0.51 x 0.04 in. (Ø 8.7 X 13 x 1 mm)	1	
17	3371813710	Protective cap, M24 x 1.5 mm	1	
18	3371814723	Allen screw	4	
19	3371820703	O-ring, Ø 0.71 x 0.08 in. (Ø 18 x 2 mm)	4	
20	3371820267	Spool socket	1	
21	3371820702	O-ring, Ø 0.94 x 0.06 in. (Ø 24 x 1.5 mm)	1	
22	3371820265	Spool	1	
23	3371820266	Guide socket	1	
24	3371820762	O-ring, Ø 0.99 x 0.07 in. (Ø 25.1 x 1.8 mm)	1	
25	3371820704	O-ring, Ø 1.18 x 0.08 in. (Ø 30 x 2 mm)	1	
26	3371820705	O-ring, Ø 1.26 x 0.08 in. (Ø 32 x 2 mm)	2	
27	3371805714	Seal	2	
28	3371805711	Nipple, 1/2 in. BSP	1	
29	3371805711	Nipple, 1/2 in. BSP	1	
30	3371818120	Nipple, optional, (T) For 35 lpm 1/2 in. BSP	1	
31	3371818013	Nipple, optional, (T) For 30 lpm 1/2 in. BSP	1	
32	3371820136	Trigger rod	1	
33	3371814120	Packing gland	1	
34	3371820137	Spring	1	
35	3371814700	O-ring, Ø 0.33 x 0.09 in. (Ø 8.3 x 2.4 mm)	1	
36	3371814702	O-ring, Ø 0.64 x 0.09 in. (Ø 16.3 x 2.4 mm)	1	
37	3371805503	Seal, Ø 0.31 x 0.55 x 0.14 x 0.20 in. (Ø 8 x 14 x 3.5 x 5 mm)	1	

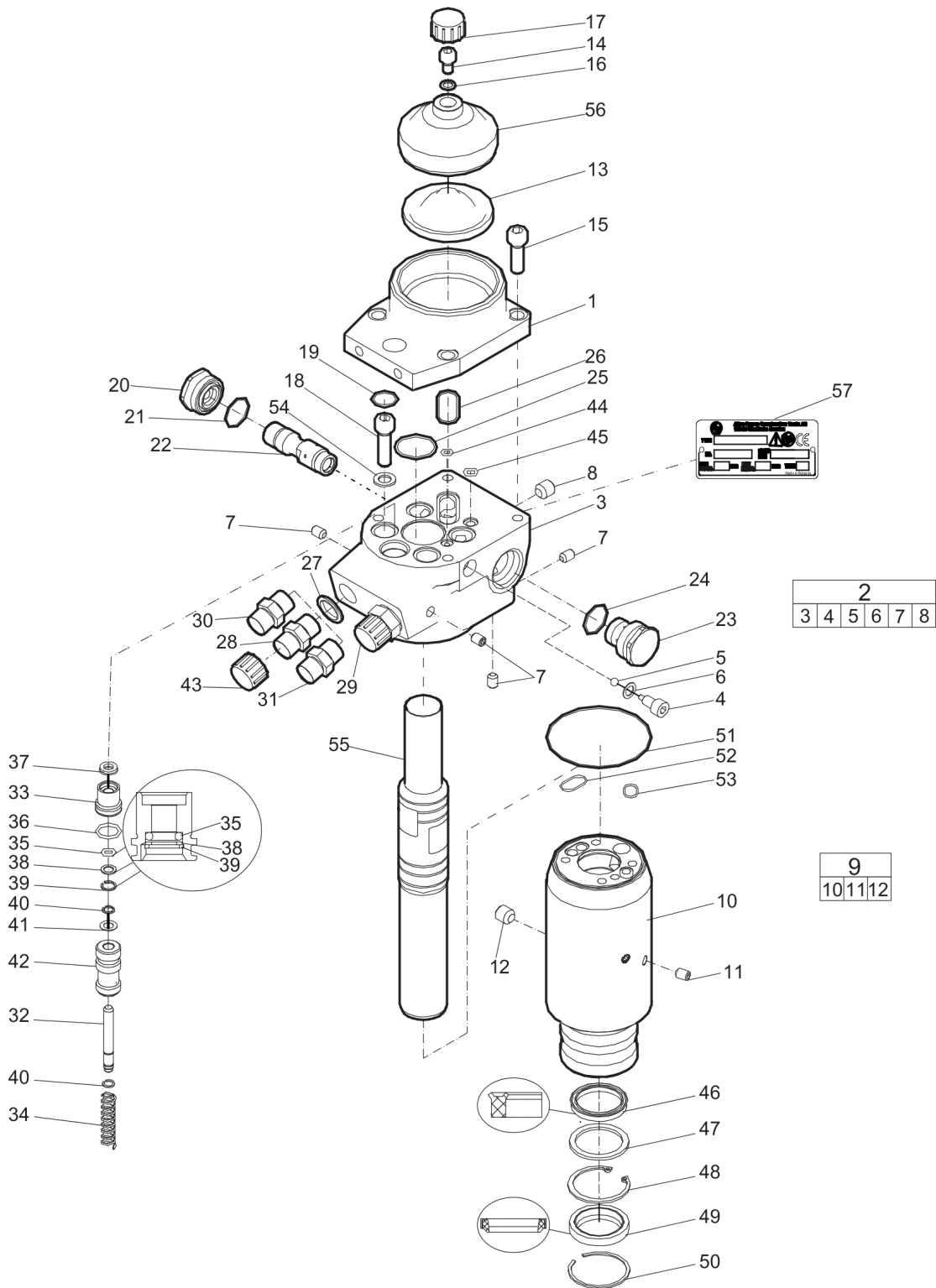
Refer to Parts Online for the most up to date information. The printed information might be outdated.

Fri Jun 26 01:54:12 MDT 2015

This page intentionally left blank

Item	Part No.	Name	Qty	L
38	3371814701	Back-up ring	1	
39	3371814712	Circlip	1	
40	3371814732	Circlip	2	
41	3371820700	Shim, PS 0.31 x 0.55 x 0.02 in. (PS 8 x 14 x 0.5 mm)	1	
42	3371820108	Trigger spool	1	
43	3371813709	Protective cap, 1/2 in. BSP	2	
44	3371817757	O-ring, $\varnothing 6 \times 2\text{mm}(\varnothing 0.24 \times 0.08 \text{ in.})$	1	
45	3376100084	O-ring, 8 x 2 mm (0.31 x 0.08 in.)	1	
46	3371820749	Seal, $\varnothing 1.50 \times 1.77 \times 0.24 \text{ in.} (\varnothing 38 \times 45 \times 6 \text{ mm})$	1	
47	3371820260	Back-up washer, $\varnothing 1.52 \times 1.89 \times 0.10 \text{ in.} (\varnothing 38.7 \times 48 \times 2.5 \text{ mm})$	1	
48	3371820750	Lock ring	1	
49	3371820752	Wiper	1	
50	3371820751	Lock ring	1	
51	3371820725	O-ring, $\varnothing 3.23 \times 0.06 \text{ in.} (\varnothing 82 \times 1.5 \text{ mm})$	1	
52	3371820748	O-ring, $\varnothing 0.71 \times 0.06 \text{ in.} (\varnothing 18 \times 1.5 \text{ mm})$	1	
53	3371814749	O-ring, $\varnothing 0.51 \times 0.06 \text{ in.} (\varnothing 13 \times 1.5 \text{ mm})$	1	
54	3371815735	Back-up washer	4	
55	3371820248	Piston	1	
56	3371814102	Accumulator cover	1	
57	-	Data plate	1	

Spare parts list BRK 95 HBP



Refer to Parts Online for the most up to date information. The printed information might be outdated.

Fri Jun 26 01:54:13 MDT 2015

Item	Part No.	Name	Qty	L
1	3371820101	Accumulator body	1	
2	3371821067	Valve housing, complete	1	
3	--	Valve housing	1	
4	3371820262	Check valve screw	1	
5	3371820717	Ball	1	
6	3371820718	Seal ring, Ø 0.35 x 0.55 x 0.04 in. (Ø 9 x 14 x 1 mm)	1	
7	3371814733	Fitting	5	
8	3371813141	Threaded plug	2	
9	3371821066	Cylinder, complete	1	
10	--	Cylinder	1	
11	3371814733	Fitting	1	
12	3371813141	Threaded plug	1	
13	3371814052	Diaphragm	1	
14	3371813103	Charging screw	1	
15	3371817720	Screw, M10 x 30 mm	4	
16	3371814709	Seal ring, Ø 0.34 X 0.51 x 0.04 in. (Ø 8.7 X 13 x 1 mm)	1	
17	3371813710	Protective cap, M24 x 1.5 mm	1	
18	3371814723	Allen screw	4	
19	3371820703	O-ring, Ø 0.71 x 0.08 in. (Ø 18 x 2 mm)	4	
20	3371820267	Spool socket	1	
21	3371820702	O-ring, Ø 0.94 x 0.06 in. (Ø 24 x 1.5 mm)	1	
22	3371821133	Spool	1	
23	3371821134	Guide socket	1	
24	3371820762	O-ring, Ø 0.99 x 0.07 in. (Ø 25.1 x 1.8 mm)	1	
25	3371820704	O-ring, Ø 1.18 x 0.08 in. (Ø 30 x 2 mm)	1	
26	3371820705	O-ring, Ø 1.26 x 0.08 in. (Ø 32 x 2 mm)	2	
27	3371805714	Seal	2	
28	3371805711	Nipple, 1/2 in. BSP	1	
29	3371805711	Nipple, 1/2 in. BSP	1	
30	3371818120	Nipple, optional, (T) For 35 lpm 1/2 in. BSP	1	
31	3371818013	Nipple, optional, (T) For 30 lpm 1/2 in. BSP	1	
32	3371820136	Trigger rod	1	
33	3371814120	Packing gland	1	
34	3371820137	Spring	1	
35	3371814700	O-ring, Ø 0.33 x 0.09 in. (Ø 8.3 x 2.4 mm)	1	
36	3371814702	O-ring, Ø 0.64 x 0.09 in. (Ø 16.3 x 2.4 mm)	1	
37	3371805503	Seal, Ø 0.31 x 0.55 x 0.14 x 0.20 in. (Ø 8 x 14 x 3.5 x 5 mm)	1	

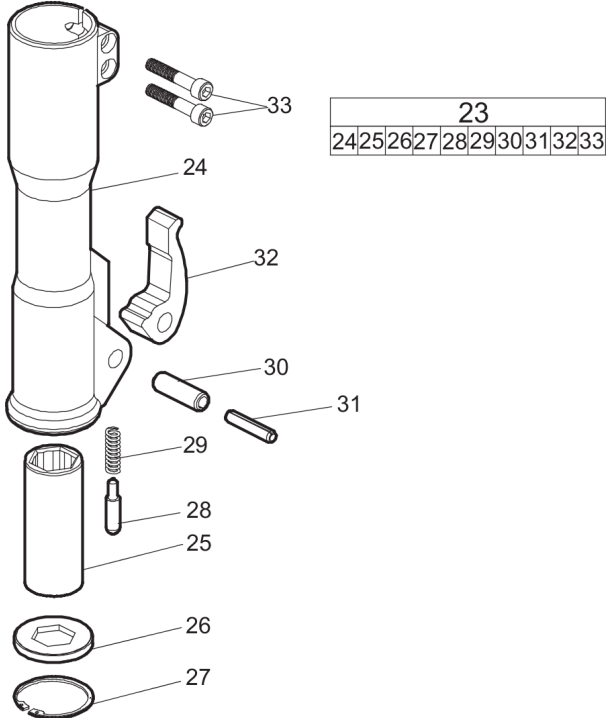
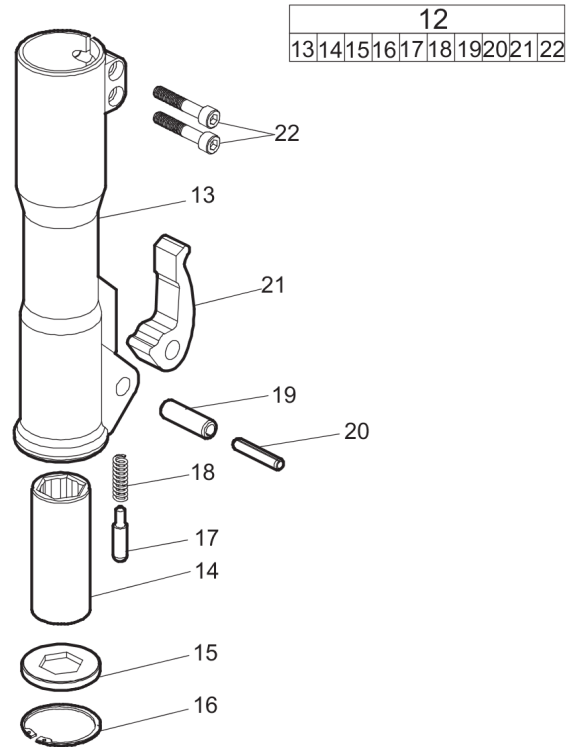
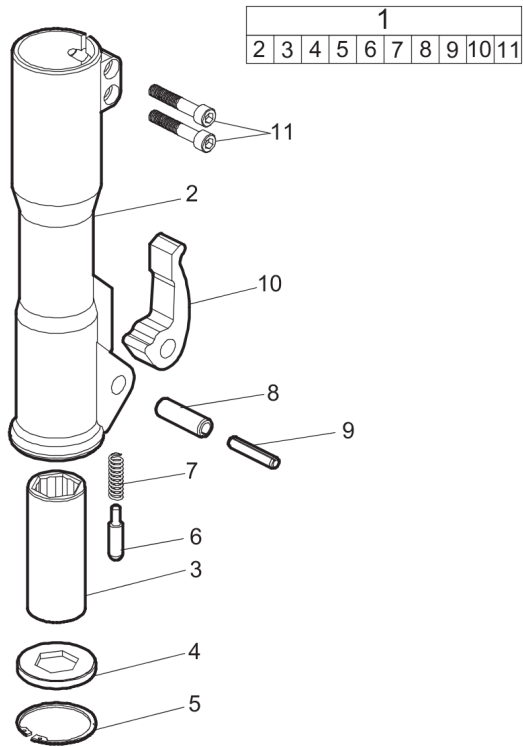
Refer to Parts Online for the most up to date information. The printed information might be outdated.

Fri Jun 26 01:54:13 MDT 2015

This page intentionally left blank

Item	Part No.	Name	Qty	L
38	3371814701	Back-up ring	1	
39	3371814712	Circlip	1	
40	3371814732	Circlip	2	
41	3371820700	Shim, PS 0.31 x 0.55 x 0.02 in. (PS 8 x 14 x 0.5 mm)	1	
42	3371820108	Trigger spool	1	
43	3371813709	Protective cap, 1/2 in. BSP	2	
44	3371817757	O-ring, $\varnothing 6 \times 2\text{mm}(\varnothing 0.24 \times 0.08 \text{ in.})$	1	
45	3376100084	O-ring, 8 x 2 mm (0.31 x 0.08 in.)	1	
46	3371820749	Seal, $\varnothing 1.50 \times 1.77 \times 0.24 \text{ in.} (\varnothing 38 \times 45 \times 6 \text{ mm})$	1	
47	3371820260	Back-up washer, $\varnothing 1.52 \times 1.89 \times 0.10 \text{ in.} (\varnothing 38.7 \times 48 \times 2.5 \text{ mm})$	1	
48	3371820750	Lock ring	1	
49	3371820752	Wiper	1	
50	3371820751	Lock ring	1	
51	3371820725	O-ring, $\varnothing 3.23 \times 0.06 \text{ in.} (\varnothing 82 \times 1.5 \text{ mm})$	1	
52	3371820748	O-ring, $\varnothing 0.71 \times 0.06 \text{ in.} (\varnothing 18 \times 1.5 \text{ mm})$	1	
53	3371814749	O-ring, $\varnothing 0.51 \times 0.06 \text{ in.} (\varnothing 13 \times 1.5 \text{ mm})$	1	
54	3371815735	Back-up washer	4	
55	3371821188	Piston	1	
56	3371814102	Accumulator cover	1	
57	-	Data plate	1	

Spare parts list Nose parts



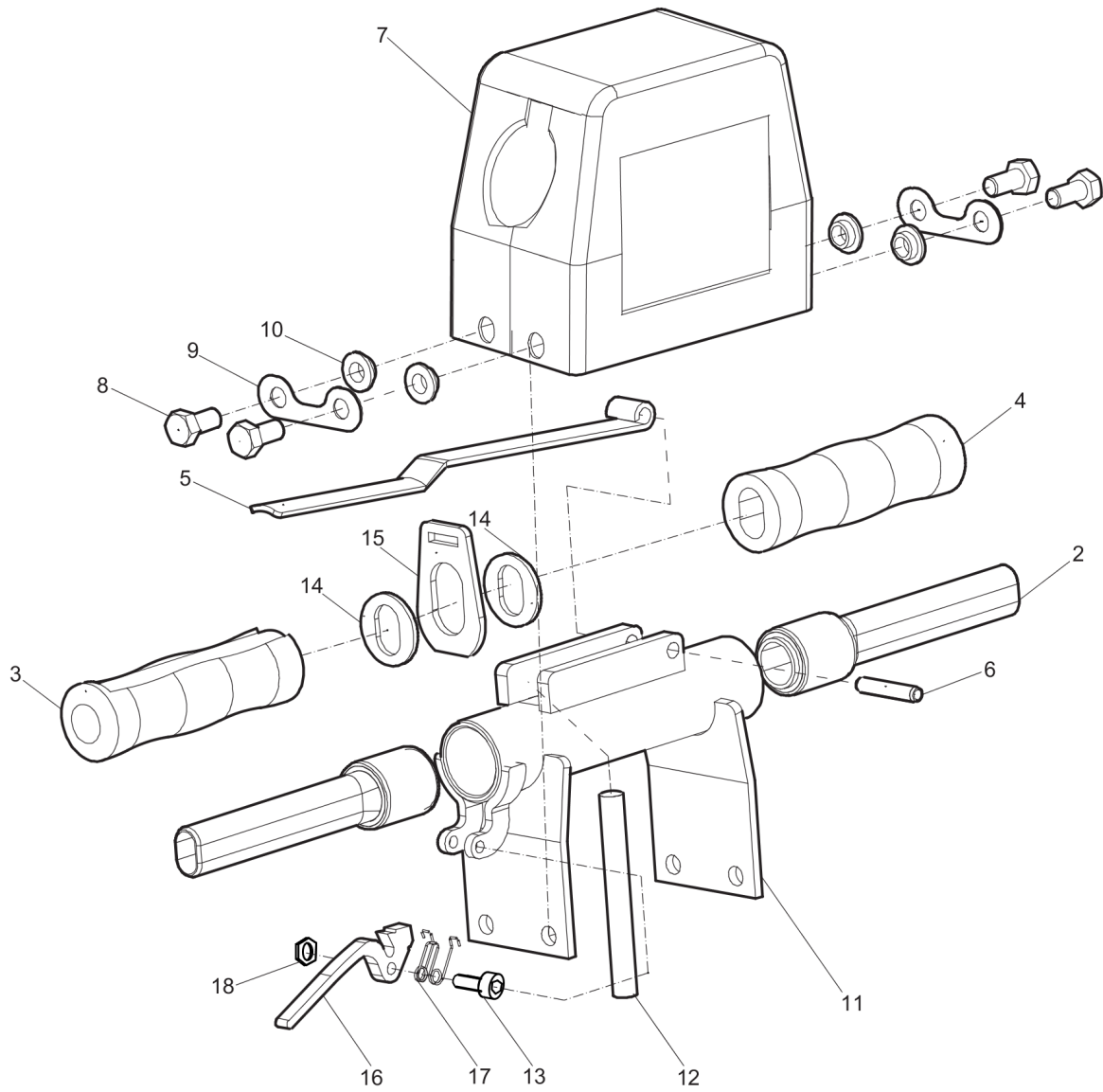
Item	Part No.	Name	Qty	L
1	3371820079	Nose part, complete, Hexagon 11/8 x 6 in., Hexagon 28 x 152 mm	1	
2	--	Nose part	1	
3	3371820217	Bushing, Hexagon 11/8 x 6 in., Hexagon 28 x 152 mm	1	
4	3371820219	Chisel bellows	1	
5	3371820737	Lock ring, Ø 2.52 x 0.08 in., Ø 64 x 2 mm	1	
6	3371802073	Lock pin	1	
7	3371802075	Spring	1	
8	3371813713	Roll pin, Ø 0.63 x 2.36 in., Ø 16 x 60 mm	1	
9	3371813714	Roll pin, Ø 0.39 x 2.36 in., Ø 10 x 60 mm	1	
10	3371820145	Latch	1	
11	3371820753	Screw - 60	2	
12	3371820077	Nose part, complete, Hexagon 11/4 x 61/4 in., Hexagon 32 x 160 mm	1	
13	--	Nose part	1	
13	--	Nose part	1	
14	3371820194	Bushing - -	1	
15	3371820192	Chisel bellows	1	
16	3371820737	Lock ring, Ø 2.52 x 0.08 in., Ø 64 x 2 mm	1	
17	3371802073	Lock pin	1	
18	3371802075	Spring	1	
19	3371813713	Roll pin, Ø 0.63 x 2.36 in., Ø 16 x 60 mm	1	
20	3371813714	Roll pin, Ø 0.39 x 2.36 in., Ø 10 x 60 mm	1	
21	3371820145	Latch	1	
22	3371820753	Screw - 60	2	
13	--	Nose part	1	
23	3371820076	Nose part, complete, Hexagon 11/4 x 6 in., Hexagon 32 x 152 mm	1	
24	--	Nose part	1	
24	--	Nose part	1	
25	3371820212	Bushing - -	1	
26	3371820192	Chisel bellows	1	
27	3371820737	Lock ring, Ø 2.52 x 0.08 in., Ø 64 x 2 mm	1	
28	3371802073	Lock pin	1	
29	3371802075	Spring	1	
30	3371813713	Roll pin, Ø 0.63 x 2.36 in., Ø 16 x 60 mm	1	
31	3371813714	Roll pin, Ø 0.39 x 2.36 in., Ø 10 x 60 mm	1	
32	3371820145	Latch	1	
33	3371820753	Screw - 60	2	
24	--	Nose part	1	

Refer to Parts Online for the most up to date information. The printed information might be outdated.

Fri Jun 26 01:54:14 MDT 2015

Spare parts list Handle standard

1																	
2	3	4	5	6	7	8	9	10	11	12	13	14	15	16	17	18	



Item	Part No.	Name	Qty	L
1	3371820045	Handle standard, complete	1	A
2	3371820204	Handle standard	2	
3	3371820135	Rubber handle	1	
4	3371820134	Rubber handle	1	
5	3371820238	Trigger	1	B
6	3371815733	Roll pin, Ø 0.31 x 1.6 in., Ø 8 x 40 mm	1	
7	3371820041	Top cover	1	
8	3371815722	Bolt, M10 x 20 mm	4	
9	3371815131	Nab	2	
10	3371815113	Spacer	4	
11	3371820203	Bracket	1	
12	3371820207	Nylon guide	1	
13	3378206044	Screw, M6 x 30 mm	1	
14	3371820747	Washer nylon, Ø 0.83 x 1.46 x 0.12 in., Ø 21 x 37 x 3 mm	2	
15	3371820237	Lock plate	1	
16	3371820236	Safety trigger	1	
17	3371820152	Spring	1	
18	3371814716	Nut, M6	1	

Comments for Page: Handle standard

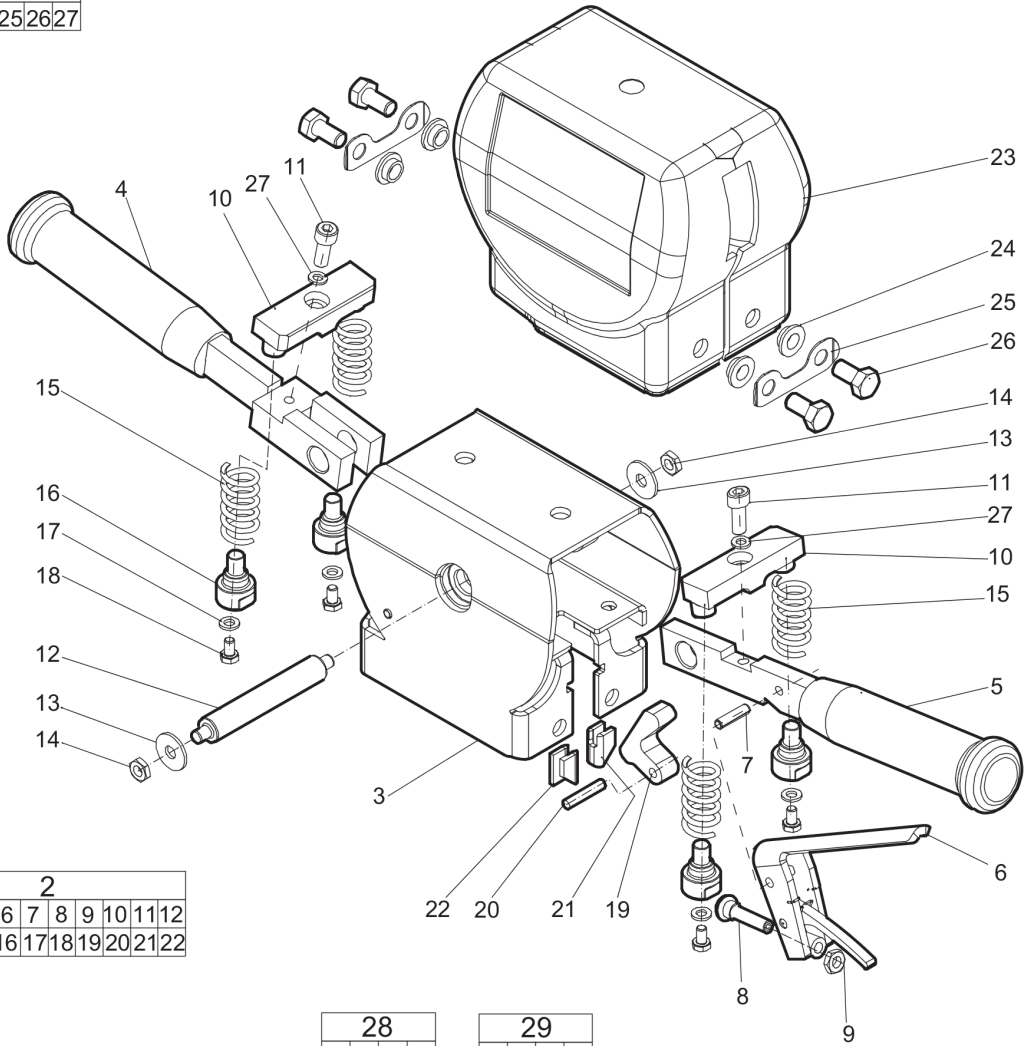
(L)OCAL REMARKS

A | With plastic cover

B | Standard

Spare parts list VR-handle

	1				
2	23	24	25	26	27



			2									
3	4	5	6	7	8	9	10	11	12			
13	14	15	16	17	18	19	20	21	22			

	28		
4	10	11	27

	29		
5	10	11	27

Refer to Parts Online for the most up to date information. The printed information might be outdated.

Fri Jun 26 01:54:15 MDT 2015

Item	Part No.	Name	Qty	L
1	3371821224	VR-handle, complete	1	A
2	3371821065	VR-handle, complete	1	B
3	3371821205	Frame	1	
4	3371821173	Handle	1	
5	3371821172	Handle	1	
6	3371821200	Trigger lever	1	
7	3371820712	Roll Pin, Ø 0.24 x 0.94 in., Ø 6 x 24 mm	1	
8	3371821068	Thrust pad, With screw M8	1	
9	3371820722	Nut, M8	1	
10	3371821177	Stopper	2	
11	3371805155	Screw, M8 x 25 mm	2	
12	3371821184	Pin	1	
13	3377104008	Washer, Ø 0.31 in., Ø 8 mm	2	
14	3371820722	Nut, M8	2	
15	3371821178	Spring	4	
16	3371821175	Spring guide	4	
17	3377000407	Washer, Ø 0.24 in., Ø 6 mm	4	
18	3371817724	Screw, M6 x 10 mm	4	
19	3371821176	Trigger pawl	1	
20	3371820711	Pin, Ø 0.24 x 1.18 in., Ø 6 x 30 mm	1	
21	3371820147	Pin latch right	1	
22	3371820148	Pin latch left	1	
23	3371821223	Top cover	1	
24	3371815113	Spacer	4	
25	3371815131	Nab	2	
26	3378034102	Hexagon head bolt	4	
27	3315019504	Lock washer	2	
28	3371821291	Handle complete (For machines before serial number BGF057000)		
4	3371821173	Handle		
10	3371821177	Stopper		
11	3371805155	Screw, M8 x 25 mm		
27	3315019504	Lock washer		
29	3371821290	Handle complete (For machines before serial number BGF057000)		
5	3371821172	Handle		
10	3371821177	Stopper		
11	3371805155	Screw, M8 x 25 mm		
27	3315019504	Lock washer		

Refer to Parts Online for the most up to date information. The printed information might be outdated.

Fri Jun 26 01:54:16 MDT 2015

Comments for Page: VR-handle

(L)OCAL REMARKS

A | With plastic cover

B | Without plastic cover

Tightening torque Tightening torque

This page intentionally left blank

NO EXPLODED VIEW
AVAILABLE
FOR THIS BOM

Item	Part No.	Name	Qty	L
-	3371817720	Screw, M10 x 30 mm	-	A
-	3371814723	Allen screw	-	B
-	3371820267	Spool socket	-	C
-	3371820266	Guide socket	-	D
-	3371805711	Nipple, 1/2 in. BSP	-	E
-	3371814733	Fitting	-	F
-	3371813141	Threaded plug	-	G
-	3371820194	Bushing - -	-	H
-	3371820753	Screw - 60	-	I
-	3371820212	Bushing - -	-	J

Comments for Page: Tightening torque

LOCTITE is a registered trademark of Henkel Corporation. 245, 648, and 275 are trademarks of Henkel Corporation.

(L)OCAL REMARKS

A | LOCTITE® 245™

B | LOCTITE® 245™

C | LOCTITE® 245™

D | LOCTITE® 245™

E | -

F | LOCTITE® 245™

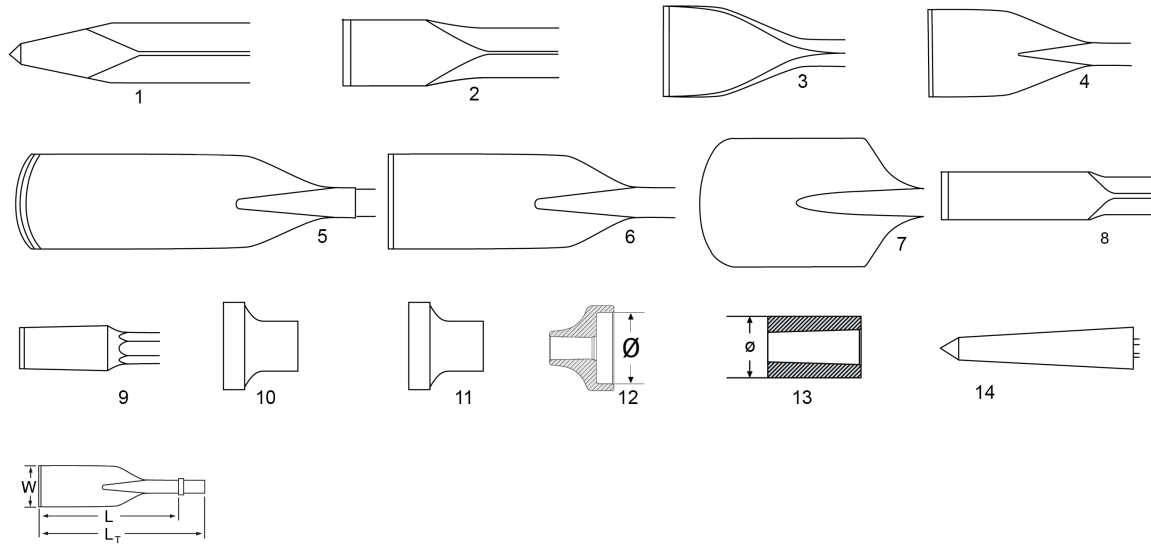
G | LOCTITE® 245™

H | LOCTITE® 648 (275)™

I | LOCTITE® 245™

J | LOCTITE® 648 (275)™

Working tools US standard hexagon 1¼ x 6 in.



Item	Part No.	Name	Qty	L
1	3083328500	Moil point	1	A
1	3083400010	Moil point	1	B
1	3083400020	Moil point	1	C
1	3083400030	Moil point	1	D
2	3083328600	Narrow chisel	1	E
2	3083400110	Narrow chisel	1	F
2	3083400120	Narrow chisel	1	G
2	3083400130	Narrow chisel	1	H
3	3083329500	Wide chisel	1	I
3	3083400200	Wide chisel	1	J
3	3083400210	Wide chisel	1	K
3	3083400220	Wide chisel	1	L
4	3083400400	Asphalt cutter	1	M
4	3083329600	Asphalt cutter	1	N
5	3083329700	Digging chisel	1	O
6	3083329800	Digging spade	1	P
7	3083329900	Clay spade	1	Q
8	3083330000	Wedge chisel	1	R
9	3083328700	Shaft for tamping pad	1	S
10	3083330100	Tamping pad, round	1	T
11	3083330200	Tamping pad, square	1	U
11	3083319700	Tamping pad, square	1	V
12	3376112079	Driver pad	1	W
12	3376112077	Driver pad	1	X
13	9245282710	Driver blank	1	Y

Comments for Page: US standard hexagon 1¼ x 6 in.

(L)OCAL REMARKS

A| W= -in, L= 14in, Lt= 20in, Wt= 7.3 lb

B| W= -in, L= 18in, Lt= 24in, Wt= 8.6 lb

C| W= -in, L= 24in, Lt= 30½in, Wt= 11.2 lb

D| W= -in, L= 36in, Lt= 42½ in, Wt= 15.4 lb

E| W= -in, L= 14in, Lt= 20in, Wt= 7.0 lb

F| W= -in, L= 18in, Lt= 24in, Wt= 8.4lb

G| W= -in, L= 24in, Lt= 30½ in, Wt= 10.8 lb

H| W= -in, L= 36in, Lt= 42½ in, Wt= 15.4 lb

I| W= 3in, L= 15in, Lt= 20in, Wt= 7.9lb

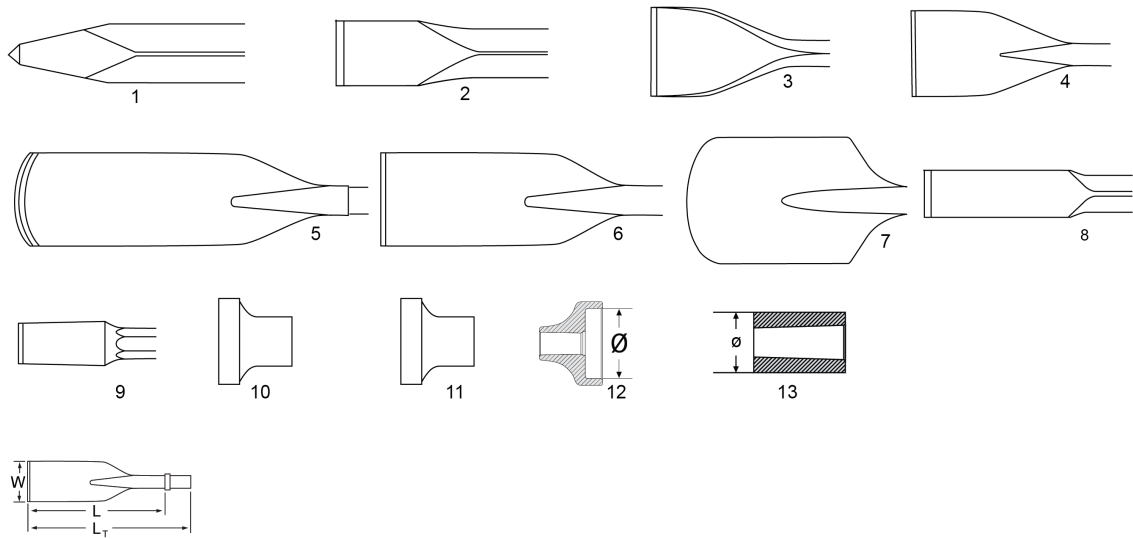
Refer to Parts Online for the most up to date information. The printed information might be outdated.

Fri Jun 26 01:54:17 MDT 2015

J| W= 3in, L= 18in, Lt= 24in, Wt= 9.3lb
K| W= 3in, L= 24in, Lt= 30½in, Wt= 11.2 lb
L| W= 3in, L= 36in, Lt= 42½ in, Wt= 14.8 lb
M| W= 4½ in, L= 12in, Lt= 18½ in, Wt= 8.8 lb
N| W= 5in, L= 13in, Lt= 19½ in, Wt= 9.0 lb
O| W= 3in, L= 15in, Lt= 21in, Wt= 9.9 lb
P| W= 5in, L= 13in, Lt= 19in, Wt= 9.5 lb
Q| W= 5½ in, L= 15in, Lt=21in, Wt= 11.7 lb
R| W= 2in, L= 16in, Lt= 22in, Wt= 11.5 lb
S| W= -in, L= 9in, Lt= 16in, Wt= 6.8 lb
T| W= 7in, L= -in, Lt= -in, Wt= 15.7 lb
U| W= 6in, L= -in, Lt= -in, Wt= 18.1 lb
V| W= 8in, L= -in, Lt= -in, Wt= 22.0 lb
W| W= 4¾ in, L= -in, Lt= -in, Wt= 16.8 lb
X| W= 6in, L= -in, Lt= -in, Wt= 19.2lb
Y| W= 3in, L= -in, Lt= -in, Wt= 7.5 lb

Working tools US standard hexagon 1¼ x 6¼ in.

This page intentionally left blank



Item	Part No.	Name	Qty	L
1	3083320500	Moil point	1	A
1	3083320600	Moil point	1	B
1	3083320700	Moil point	1	C
2	3083320800	Narrow chisel	1	D
2	3083320900	Narrow chisel	1	E
2	3083321000	Narrow chisel	1	F
3	3083321100	Wide chisel	1	G
4	3083321200	Asphalt cutter	1	H
5	3083321300	Digging chisel	1	I
6	3083321400	Digging spade	1	J
7	3083321500	Clay spade	1	K
8	3083321600	Wedge chisel	1	L
9	3083321801	Shaft for tamping pad	1	M
10	3083330100	Tamping pad, round	1	N
11	3083330200	Tamping pad, square	1	O
11	3083319700	Tamping pad, square	1	P
12	3376112079	Driver pad	1	Q
12	3376112077	Driver pad	1	R
13	9245282710	Driver blank	1	S

Comments for Page: US standard hexagon 1¼ x 6¼ in.

(L)OCAL REMARKS

A| W= -in, L= 15in, Lt= 21in, Wt= 8 lb

B| W= -in, L= 18in, Lt= 24in, Wt= 9 lb

C| W= -in, L= 39in, Lt= 46in, Wt= 17 lb

D| W= -in, L= 15in, Lt=21 in, Wt= 8 lb

E| W= -in, L= 18in, Lt= 24in, Wt= 9 lb

F| W= -in, L= 39in, Lt= 46in, Wt=17lb

G| W= 3in, L= 15in, Lt= 21 in, Wt= 8 lb

H| W= 5in, L= 12in, Lt= 18 in, Wt= 9 lb

I| W= 3in, L= 15in, Lt= 21in, Wt= 10lb

J| W= 5in, L= 15in, Lt= 21in, Wt= 11lb

K| W= 6in, L= 15in, Lt= 21in, Wt= 10 lb

L| W= 2in, L= 16in, Lt= 22 in, Wt= 8 lb

M| W=- in, L= 9in, Lt= 16 in, Wt= 7 lb

N| W= Ø7in, L= -in, Lt= -in, Wt= 16lb

O| W= 6in, L= -in, Lt= -in, Wt= 18lb

P| W= 8in, L= -in, Lt= -in, Wt= 22.0 lb

Refer to Parts Online for the most up to date information. The printed information might be outdated.

Fri Jun 26 01:54:18 MDT 2015

Q| W= Ø5 in, L= -in, Lt=-in, Wt= 17 lb

R| W= Ø6in, L= -in, Lt= -in, Wt= 19 lb

S| W= Ø3in, L= -in, Lt= -in, Wt= 7 lb

Accessories Hoses and couplings

This page intentionally left blank

NO EXPLODED VIEW
AVAILABLE
FOR THIS BOM

Item	Part No.	Name	Qty	L
1	3371801083	Connection hose, complete	1	
-	3371803050	Hose, Ø 1/2 in. L = 16 in., Ø 12.5 mm L = 0.4 m	2	
-	3371805714	Seal	2	
-	3371805133	Quick-release coupling, Female 1/2 in. BSP	1	
-	3371805134	Quick-release coupling, Male 1/2 in. BSP	1	
-	3371805733	Protective cap	1	A
-	3371805732	Protective cap	1	B
-	3371801087	Twin hose, complete, Ø 1/2 in. L = 23 ft. , Ø 12.5 mm L = 7 m	1	
-	3371803052	Twin hose, Ø 1/2 in. L = 23 ft., Ø 12.5 mm L = 7 m	1	
-	3371801190	Connection hose, complete, Ø 1/2 in. L = 62 in., Ø 12.5 mm L = 1.6 m	1	
-	3371803064	Hose, Ø 1/2 in. L = 62 in., Ø 12.5 mm L = 1.6 m	2	
-	3371802115	Label P	1	G

Comments for Page: Hoses and couplings

(L)OCAL REMARKS

A | Female

B | Male

C | Female

D | Male

E | Female

F | Male

G | Pressure side

Kits Label kit

NO EXPLODED VIEW
AVAILABLE
FOR THIS BOM

Item	Part No.	Name	Qty	L
1	3371821093	Label kit	1	
-	3371896061	Safety label	1	
-	3371896062	Pressure charge	1	A
-	3371897155	Product label	2	B
-	3371897170	Product label	1	C
-	3371897169	Product label	1	D
Not Shown	-	Noise level label	1	
-	3371896048	EHTMA Category D	1	E
-	3371896049	EHTMA Category E	1	F
-	3371802106	Shank size, "Shank size 32 x 152"	1	
-	3371802105	Shank size, "Shank size 32 x 160"	1	

Comments for Page: Label kit

(L)OCAL REMARKS

A | "N2"

B | "CP"

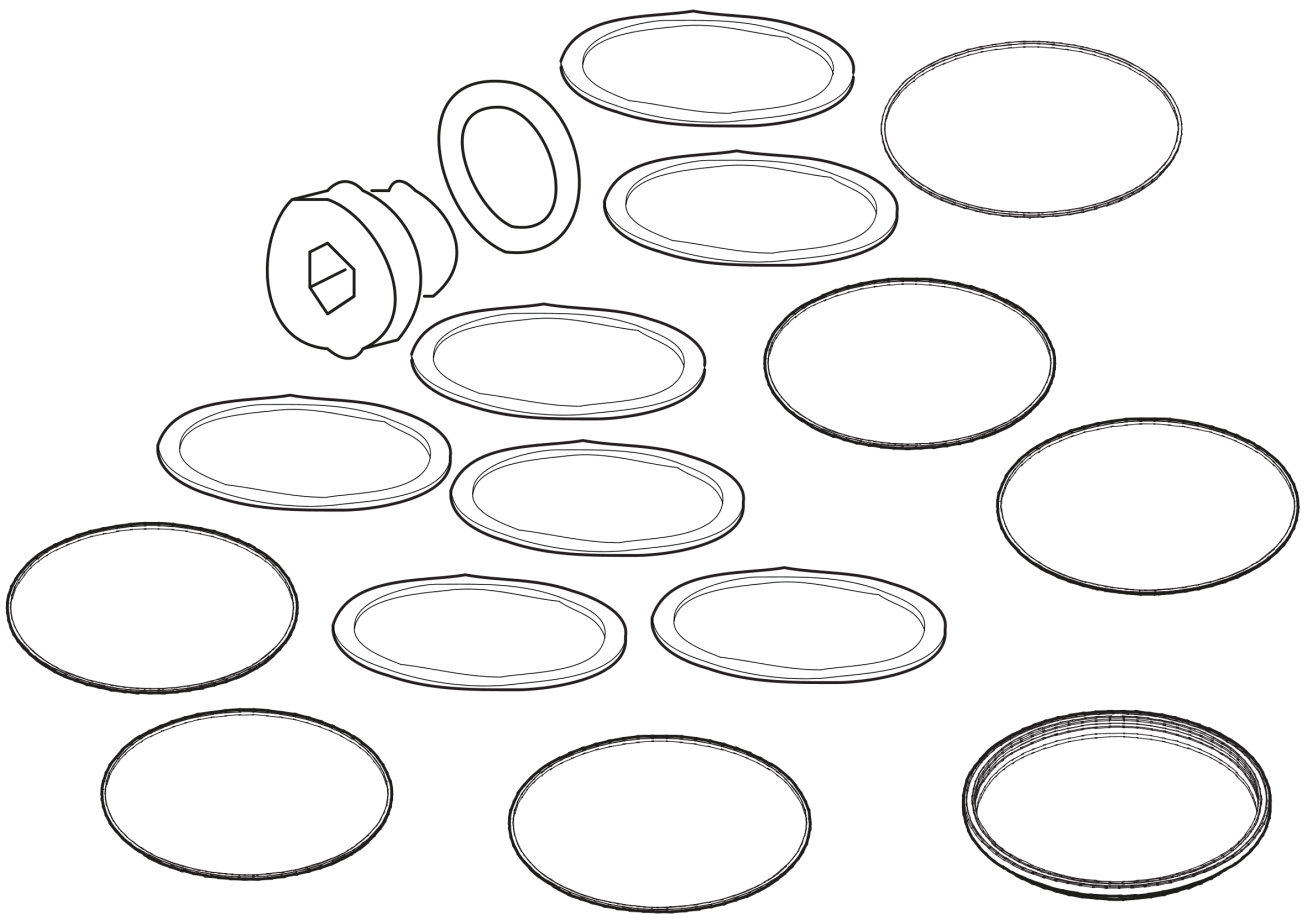
C | "BRK 95 VR"

D | "BRK 95"

E | 30 lpm

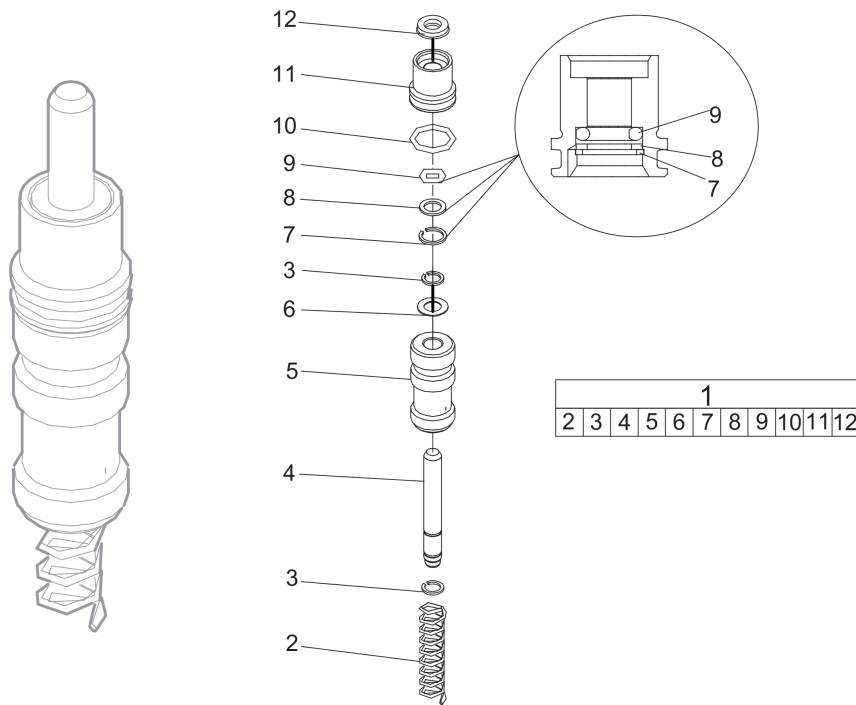
F | 40 lpm

Kits Seal kit



Item	Part No.	Name	Qty	L
1	3371820087	Seal kit	1	
-	3371814709	Seal ring, Ø 0.34 X 0.51 x 0.04 in. (Ø 8.7 X 13 x 1 mm)	1	
-	3371813710	Protective cap, M24 x 1.5 mm	1	
-	3371820702	O-ring, Ø 0.94 x 0.06 in. (Ø 24 x 1.5 mm)	1	
-	3371820703	O-ring, Ø 0.71 x 0.08 in. (Ø 18 x 2 mm)	4	
-	3371820704	O-ring, Ø 1.18 x 0.08 in. (Ø 30 x 2 mm)	1	
-	3371820705	O-ring, Ø 1.26 x 0.08 in. (Ø 32 x 2 mm)	2	
-	3371820762	O-ring, Ø 0.99 x 0.07 in. (Ø 25.1 x 1.8 mm)	1	
-	3371820751	Lock ring	1	
-	3371820749	Seal, Ø 1.50 x 1.77 x 0.24 in. (Ø 38 x 45 x 6 mm)	1	
-	3371820752	Wiper	1	
-	3371814732	Circlip	2	
-	3371805714	Seal	2	
-	3371820700	Shim, PS 0.31 x 0.55 x 0.02 in. (PS 8 x 14 x 0.5 mm)	1	
-	3371814700	O-ring, Ø 0.33 x 0.09 in. (Ø 8.3 x 2.4 mm)	1	
-	3371814702	O-ring, Ø 0.64 x 0.09 in. (Ø 16.3 x 2.4 mm)	1	
-	3371805503	Seal, Ø 0.31 x 0.55 x 0.14 x 0.20 in. (Ø 8 x 14 x 3.5 x 5 mm)	1	
-	3371814701	Back-up ring	1	
-	3371814712	Circlip	1	
-	3371817757	O-ring, ø6 x 2mm(ø0.24 x 0.08 in.)	1	
-	3371100084	O-ring, Ø 0.31 x 0.08 in. (Ø 8 x 2 mm)	1	
-	3371820718	Seal ring, Ø 0.35 x 0.55 x 0.04 in. (Ø 9 x 14 x 1 mm)	1	
-	3371820725	O-ring, Ø 3.23 x 0.06 in. (Ø 82 x 1.5 mm)	1	
-	3371820748	O-ring, Ø 0.71 x 0.06 in. (Ø 18 x 1.5 mm)	1	
-	3371814749	O-ring, Ø 0.51 x 0.06 in. (Ø 13 x 1.5 mm)	1	
-	3371820260	Back-up washer, Ø 1.52 x 1.89 x 0.10 in. (Ø 38.7 x 48 x 2.5 mm)	1	
-	3371820750	Lock ring	1	
-	3371815131	Nab	2	

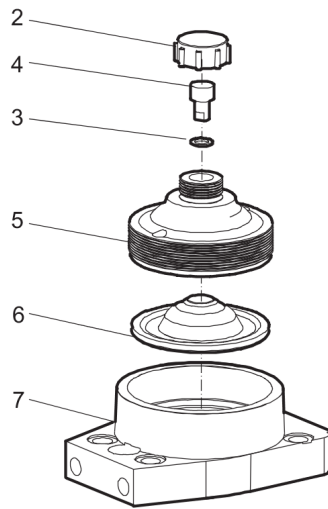
Kits Trigger valve kit



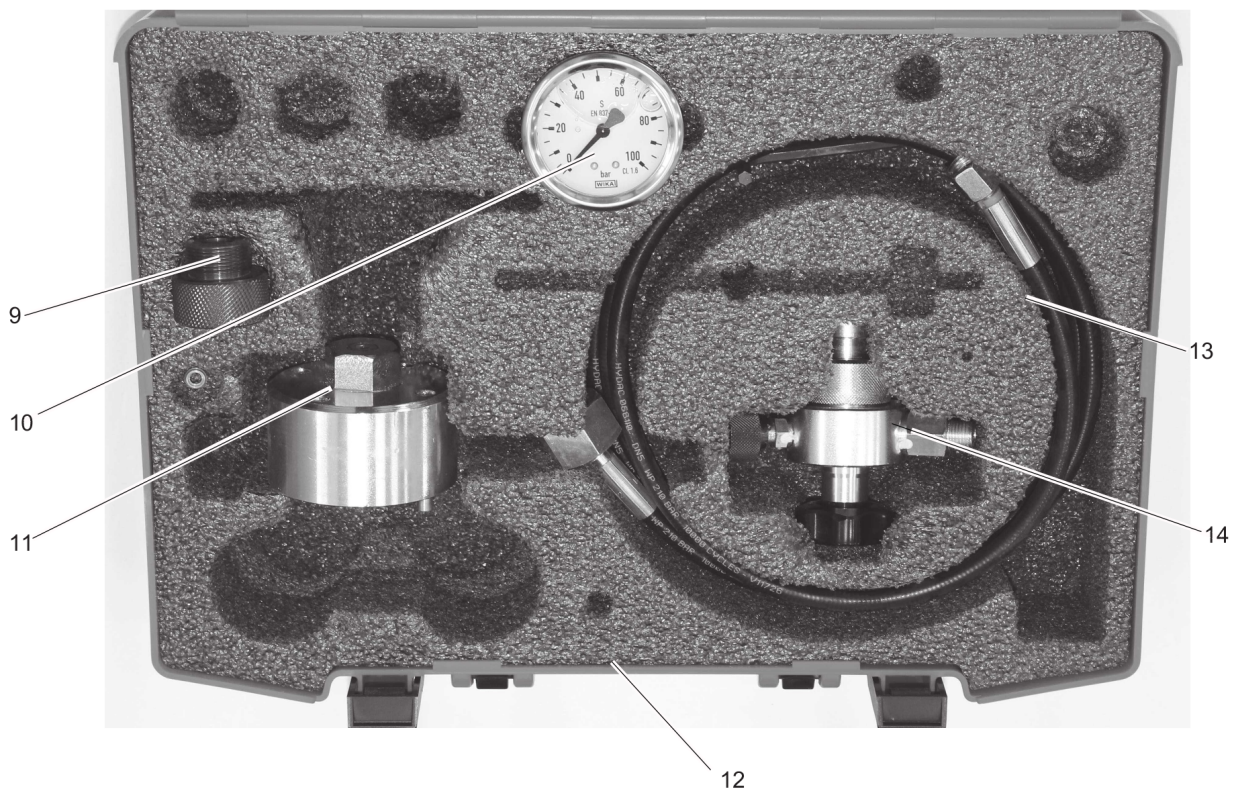
Item	Part No.	Name	Qty	L
1	3371820053	Trigger valve kit	1	
2	3371820137	Spring	1	
3	3371814732	Circlip	2	
4	3371820136	Trigger rod	1	
5	3371820108	Trigger spool	1	
6	3371820700	Shim, PS 0.31 x 0.55 x 0.02 in. (PS 8 x 14 x 0.5 mm)	1	
7	3371814712	Circlip	1	
8	3371814701	Back-up ring	1	
9	3371814700	O-ring, Ø 0.33 x 0.09 in. (Ø 8.3 x 2.4 mm)	1	
10	3371814702	O-ring, Ø 0.64 x 0.09 in. (Ø 16.3 x 2.4 mm)	1	
11	3371814120	Packing gland	1	
12	3371805503	Seal, Ø 0.31 x 0.55 x 0.14 x 0.20 in. (Ø 8 x 14 x 3.5 x 5 mm)	1	

Kits Accumulator kit

1						
2	3	4	5	6	7	



8													
9	10	11	12	13	14								



Item	Part No.	Name	Qty	L
1	3371814051	Accumulator kit	1	
2	3376117071	Protective nut, M24 x 1.5 mm	1	
3	3371814709	Seal ring, Ø 0.34 X 0.51 x 0.04 in. (Ø 8.7 X 13 x 1 mm)	1	
4	3371813103	Charging screw	1	
5	3371814102	Accumulator cover	1	
6	3371814052	Diaphragm	1	
7	3371814104	Accumulator body	1	
8	3371801155	Filling device kit	1	
9	3371807780	Adapter	1	
10	-	Manometer	1	
11	3371807760	Tool for accumulator	1	
12	-	Suitcase	1	
13	3371807779	Charging hose	1	
14	3371807778	Charging device	1	
Not Shown	-	Adapters	1	



**Chicago
Pneumatic**