

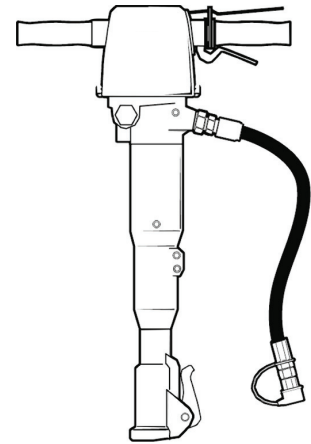


**Chicago
Pneumatic**

Spare parts list

Handheld hydraulic breakers

BRK 25D



General information

This spare parts list applies to the following:

Part number	Description
1801174612	BRK 25 D

Use only authorized parts. Any damage or malfunction caused by the use of unauthorized parts is not covered by Warranty or Product Liability. Any unauthorized use or copying of the contents or any part thereof is prohibited. This applies in particular to trademarks, model denominations, part numbers, and drawings.

Instructions for use

This spare parts list contains no safety regulations and is merely intended to assist in the ordering of spare parts.

For information about operating, servicing, or repairing, the relevant Safety and operating instructions must be consulted at all costs.

Please observe the safety instructions listed in the relevant Safety and operating instructions!

Contents

Spare parts list

BRK 25 D 1
D-handle 6

Tightening torque

Tightening torque 9

Accessories

Hoses and couplings 11

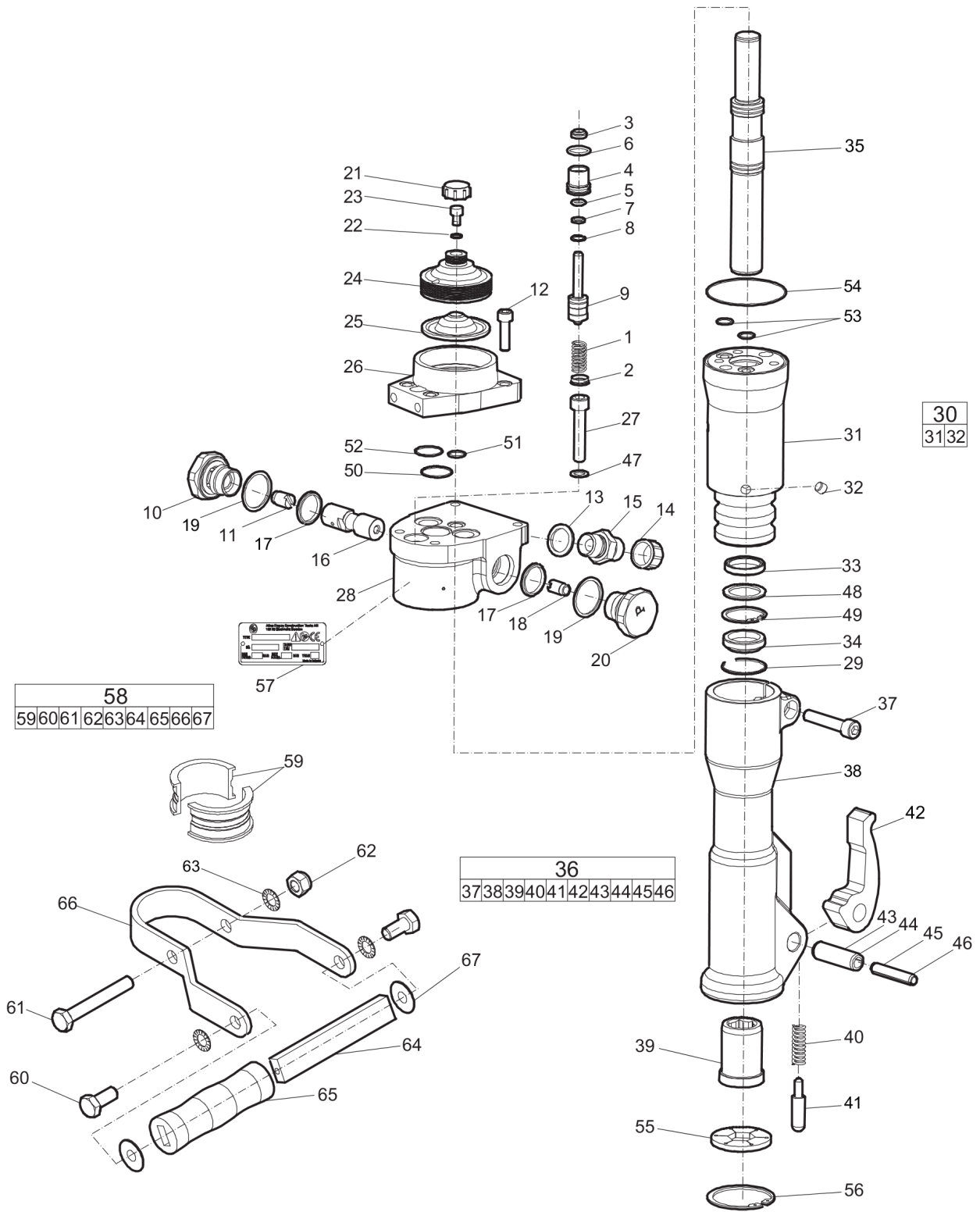
Working tools

US standard hexagon 7/8 x 3/4 in. 13

Kits

Label kit 17
Seal kit 19
Trigger valve kit 21
Accumulator kit 23

Spare parts list BRK 25 D



Refer to Parts Online for the most up to date information. The printed information might be outdated.

Thu Jun 25 06:35:16 MDT 2015

Item	Part No.	Name	Qty	L
1	3371814163	Spring	1	
2	3371814752	Washer	1	
3	3371805503	Seal, Ø 0.31 x 0.55 x 0.14 x 0.20 in. (Ø 8 x 14 x 3.5 x 5 mm)	1	
4	3371814120	Packing gland	1	
5	3371814700	O-ring, Ø 0.33 x 0.09 in. (Ø 8.3 x 2.4 mm)	1	
6	3371814702	O-ring, Ø 0.64 x 0.09 in. (Ø 16.3 x 2.4 mm)	1	
7	3371814701	Back-up ring	1	
8	3371814712	Circlip	1	
9	-	Trigger spool with rod	1	
10	3371814116	Guide socket T	1	
11	3371814115	Auxiliary spool T	1	
12	3371814723	Allen screw	4	
13	3371805714	Seal	2	
14	3371813709	Protective cap, 1/2 in. BSP	2	
15	3371805711	Nipple, 1/2 in. BSP	2	
16	3371814112	Spool	1	
17	3371814703	O-ring, Ø 0.95 x 0.12 in. (Ø 24.2 x 3 mm)	2	
18	3371814113	Auxiliary spool P	1	
19	3371814710	O-ring, Ø 1.30 x 0.08 in. (Ø 33 x 2 mm)	2	
20	3371814114	Guide socket P	1	
21	3376117071	Protective nut, M24 x 1.5 mm	1	
22	3371814709	Seal ring, Ø 0.34 X 0.51 x 0.04 in. (Ø 8.7 X 13 x 1 mm)	1	
23	3371813103	Charging screw	1	
24	3371814102	Accumulator cover	1	
25	3371814052	Diaphragm	1	
26	-	Accumulator body	1	
27	3371815720	Allen screw	3	
28	3371814108	Valve housing	1	A
29	3371815738	Lock ring	1	
30	3371814124	Cylinder, complete	1	
31	--	Cylinder	1	
32	3371814733	Fitting	4	
33	3371814172	Seal ring, 28 / 36 x 5.7 mm (1.10 / 1.42 x 0.22 in.)	1	
34	3371814707	Seal, 28 / 38 x 7 / 10 mm (1.10 / 1.5 x 0.28 / 0.39 in.)	1	
35	3371814125	Piston	1	
36	3371814008	Nose part, complete	1	
37	3371815720	Allen screw	2	

Refer to Parts Online for the most up to date information. The printed information might be outdated.

Thu Jun 25 06:35:16 MDT 2015

This page intentionally left blank

Item	Part No.	Name	Qty	L
38	--	Nose part, Hexagon 7/8 in., Hexagon 22 mm	1	
39	3371814140	Bushing, Hexagon 7/8 in. , Hexagon 22 mm	1	
40	3371802075	Spring	1	
41	3371802073	Lock pin	1	
42	3371815122	Latch	1	
43	3371815730	Roll pin, Ø 0.63 x 1.97 in., Ø 16 x 50 mm	1	
44	3371821708	Roll pin, Ø 0.63 x 1.57 in. from serial no 101744, Ø 16 x 40 mm from serial no 101744	1	
45	3371815731	Roll pin, Ø 0.39 x 1.97 in., Ø 10 x 50 mm	1	
46	3372005012	Roll pin, Ø 0.39 x 1.57 in. from serial no 101744, Ø 10 x 40 mm from serial no 101744	1	
47	3371815735	Back-up washer	3	
48	3371814169	Back-up washer, 28.7 x 38 x 2 mm (1.13 x 1.5 0.08 in.)	1	
49	3371814754	Circlip	1	
50	3371814748	O-ring, Ø 0.98 x 0.06 in. (Ø 25 x 1.5 mm)	1	
51	3371814749	O-ring, Ø 0.51 x 0.06 in. (Ø 13 x 1.5 mm)	1	
52	3371820706	O-ring, Ø 0.87 x 0.06 in. (Ø 22 x 1.5 mm)	2	
53	3371814750	O-ring, Ø 0.47 x 0.06 in. (Ø 12 x 1.5 mm)	2	
54	3371814751	O-ring, Ø 2.72 x 0.06 in. (Ø 69 x 1.5 mm)	1	
55	3371814181	Chisel bellows	1	
56	3371820736	Circlip, Ø 2.24 x 0.08 in., Ø 57 x 2 mm	1	
57	-	Data plate	1	
58	3371801040	Front handle, complete	1	B
59	3371814187	Sector	2	
60	3371815722	Bolt, M10 x 20 mm	2	
61	3371814741	Screw, M10 x 70 mm	1	
62	3371806702	Nut, M10	1	
63	3371814743	Washer	3	
64	--	Handle	1	
65	3371822108	Rubber handle	1	
66	3371814173	Bow	1	
67	3377104010	Washer	2	

Comments for Page: BRK 25 D

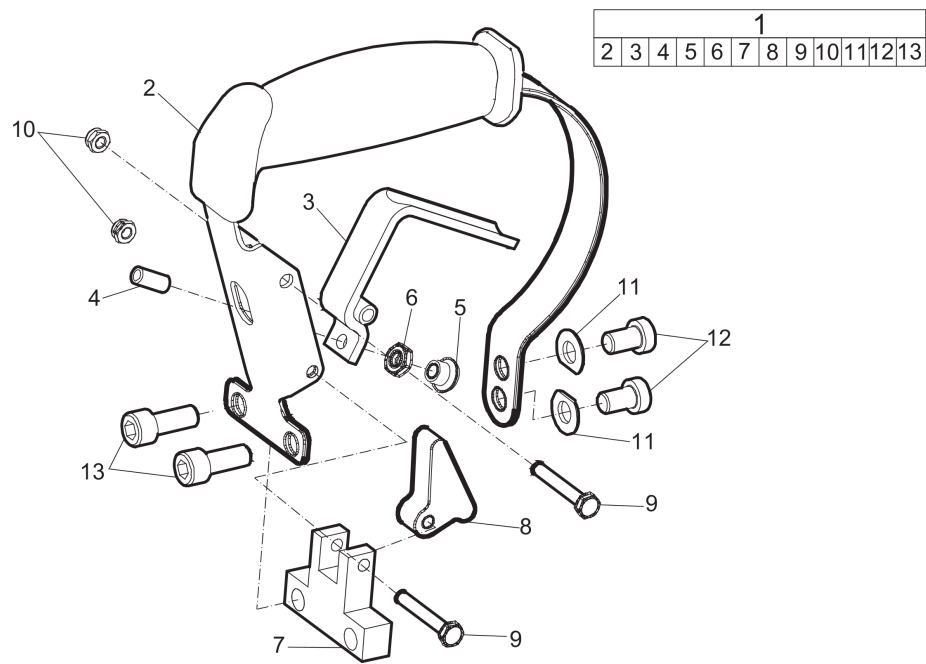
(L)OCAL REMARKS

A | Plugged

B | Optional

Spare parts list D-handle

This page intentionally left blank



Refer to Parts Online for the most up to date information. The printed information might be outdated.

Thu Jun 25 06:35:23 MDT 2015

Item	Part No.	Name	Qty	L
1	3371814062	D-handle, complete	1	
2	--	D-handle	1	
3	3371822002	Trigger lever	1	
4	3377122008	Screw, M8 x 30 mm	1	
5	3371822105	Thrust pad	1	
6	3371820722	Nut, M8	1	
7	3371822104	Backstop	1	
8	3371820131	Trigger pawl	1	
9	3371822701	Screw, M6 x 40 mm	2	
10	3371814716	Nut, M6	2	
11	3371814134	Washer	2	A
12	3371814721	Screw, M10 x 16 mm	2	
13	3376100001	Screw, M10 x 25 mm	2	

Comments for Page: D-handle

(L)OCAL REMARKS

A | DIN 125

Tightening torque Tightening torque

NO EXPLODED VIEW
AVAILABLE
FOR THIS BOM

Item	Part No.	Name	Qty	L
-	3371814116	Guide socket T	-	A
-	3371814723	Allen screw	-	B
-	3371805711	Nipple, 1/2 in. BSP	-	C
-	3371814114	Guide socket P	-	D
-	3371815720	Allen screw	-	E
-	3371814140	Bushing, Hexagon 7/8 in. , Hexagon 22 mm	-	G
-	3377122008	Screw, M8 x 30 mm	-	H

Accessories Hoses and couplings

NO EXPLODED VIEW
AVAILABLE
FOR THIS BOM

Item	Part No.	Name	Qty	L
1	3371801189	Connection hose, complete	1	
-	3371803075	Hose, Ø 3/8 in. L = 63 in., Ø 9.5 mm L = 1.6 m	2	
-	3371805714	Seal	2	
-	3371805133	Quick-release coupling, Female 1/2 in. BSP	1	
-	3371805134	Quick-release coupling, Male 1/2 in. BSP	1	
-	3371805733	Protective cap	1	A
-	3371805732	Protective cap	1	B
-	3371801087	Twin hose, complete, Ø 1/2 in. L = 23 ft. , Ø 12.5 mm L = 7 m	1	
-	3371803052	Twin hose, Ø 1/2 in. L = 23 ft., Ø 12.5 mm L = 7 m	1	

Comments for Page: Hoses and couplings

(L)OCAL REMARKS

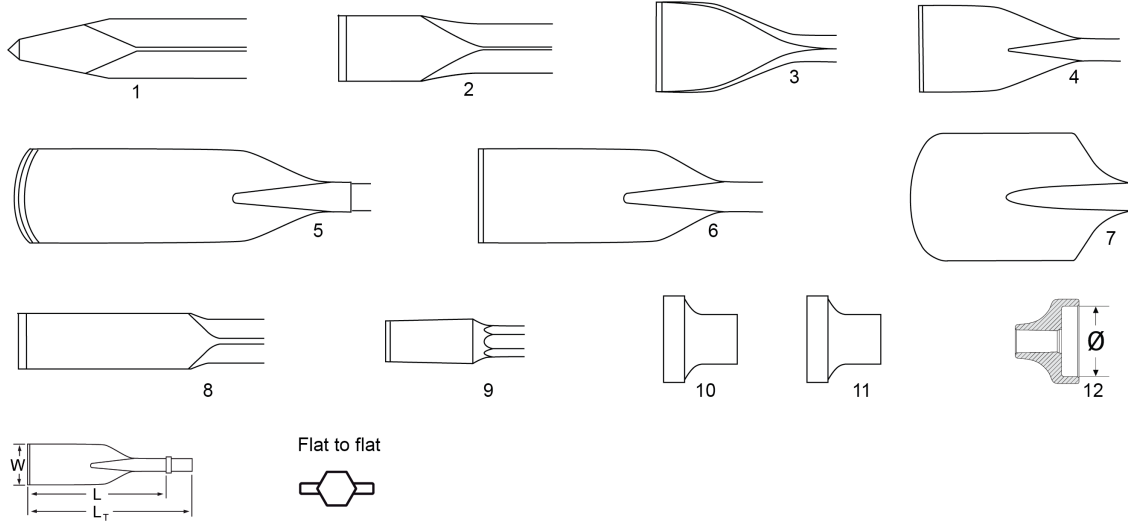
A | Female

B | Male

C | Female

D | Male

Working tools US standard hexagon 7/8 x 3 1/4 in.



Item	Part No.	Name	Qty	L
1	3083405000	Moil point	1	A
1	3083405010	Moil point	1	B
1	3083405020	Moil point	1	C
1	3083405030	Moil point	1	D
2	3083330300	Narrow chisel	1	E
2	3083330400	Narrow chisel	1	F
2	3083405110	Narrow chisel	1	G
2	3083405130	Narrow chisel	1	H
3	3083330500	Wide chisel	1	I
3	3083405210	Wide chisel	1	J
3	3083405220	Wide chisel	1	K
3	3083405230	Wide chisel	1	L
4	3083405300	Asphalt cutter	1	M
5	3083330600	Digging chisel	1	N
6	3083330700	Digging spade	1	O
7	3083330800	Clay spade	1	P
8	3083405700	Frost wedge	1	Q
9	3083405800	Shaft for tamping pad	1	R
10	3083325210	Tamping pad, round	1	S
11	3083323900	Tamping pad, square	1	T
12	9245281790	Driver pad	1	U
12	3371806012	Driver pad, round	1	V
14	9245282230	Posthole pad	1	W

Comments for Page: US standard hexagon 7/8 x 3/4 in.

(L)OCAL REMARKS

A| W= -in, L= 14in, Lt= 18in, Wt= 3.3 lb

B| W= -in, L= 18in, Lt= 21in, Wt= 4.0 lb

C| W= -in, L= 24in, Lt= 28in, Wt= 5.1 lb

D| W= -in, L= 36in, Lt= 40 in, Wt= 7.3 lb

E| W= -in, L= 14in, Lt= 18in, Wt= 3.5 lb

F| W= -in, L= 24in, Lt= 28in, Wt= 5.1 lb

G| W= -in, L= 18in, Lt= 21in, Wt= 4.0 lb

H| W= -in, L= 36in, Lt= 40 in, Wt= 7.3 lb

I| W= 3in, L= 14in, Lt= 18in, Wt= 4.6 lb

J| W= 3in, L= 18in, Lt= 21in, Wt= 4.4 lb

K| W= 3in, L= 24, Lt=28in, Wt= 5.5 lb

Refer to Parts Online for the most up to date information. The printed information might be outdated.

Thu Jun 25 06:35:28 MDT 2015

L| W= 3in, L= 36in, Lt= 40 in, Wt= 7.7 lb
M| W= 5 in, L= 12in, Lt= 16in, Wt= 6.2 lb
N| W= 3in, L= 14in, Lt= 18in, Wt= 7.1 lb
O| W= 5in, L= 13in, Lt= 17in, Wt= 8.6 lb
P| W= 5in, L= 17in, Lt= 21in, Wt= 8.4 lb
Q| W= 1in, L= 15in, Lt= 19in, Wt= 5.5 lb
R| W= -in, L= 8in, Lt= 12in, Wt=2.9 lb
S| W= Ø7in, L= -in, Lt= -in, Wt=16.8 lb
T| W= 7in, L= -in, Lt= -in, Wt=13.4 lb
U| W= Ø4in, L= -in, Lt= -in, Wt=5.7 lb
V| W= Ø3in, L= -in, Lt= -in, Wt=4.2 lb
W| W= 2in, L= -in, Lt= -in, Wt=6.0 lb

Comments for Chapter: Working tools

(L)OCAL REMARKS

A | W= 1 11/32 in, L=31½ in, Wt=6.6 lb

B | W= 1 5/16 in, L=63 in, Wt=11.4lb

C | W= 1¼ in, L=94½in, Wt=17.6lb

D | W= 1 7/32 in, L=126in, Wt=22.5lb

E | W= 1 3/16 in, L=157½ in, Wt=28.4 lb

F | W= 1 9/64 in, L=189 in, Wt=33.3lb

Kits Label kit

NO EXPLODED VIEW
AVAILABLE
FOR THIS BOM

Item	Part No.	Name	Qty	L
1	3371821091	Label kit	1	
-	3371802111	Shank size, "Shank size 22 x 82.5"	1	
Not Shown	-	Product label	1	A
-	3371896061	Safety label	1	
-	3371897156	Product label	1	B
Not Shown	-	Noise level label	1	
-	3371896047	EHTMA Category C	1	C
-	3371896062	Pressure charge	1	

Comments for Page: Label kit

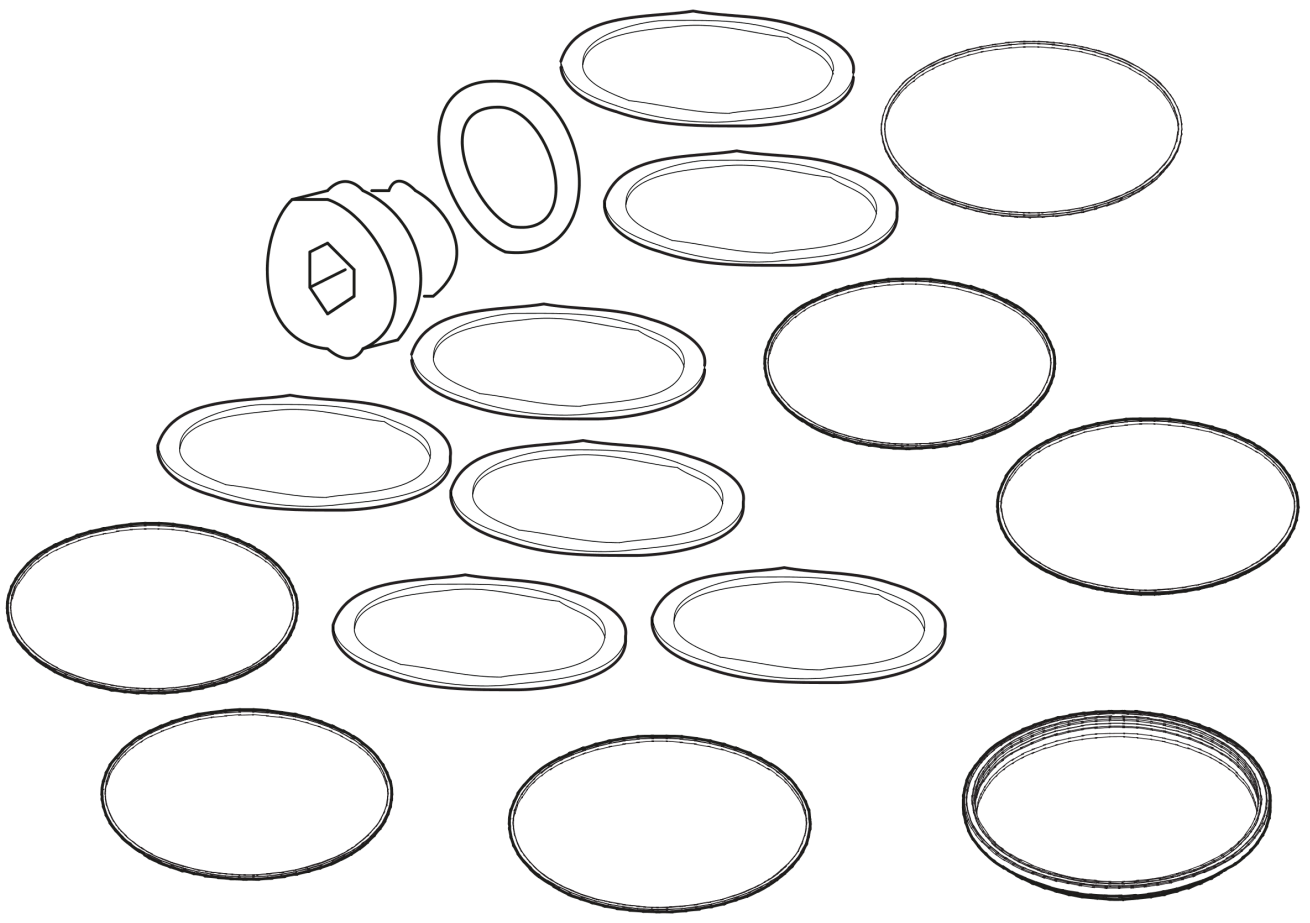
(L)OCAL REMARKS

A | "BRK 25 D"

B | "CP"

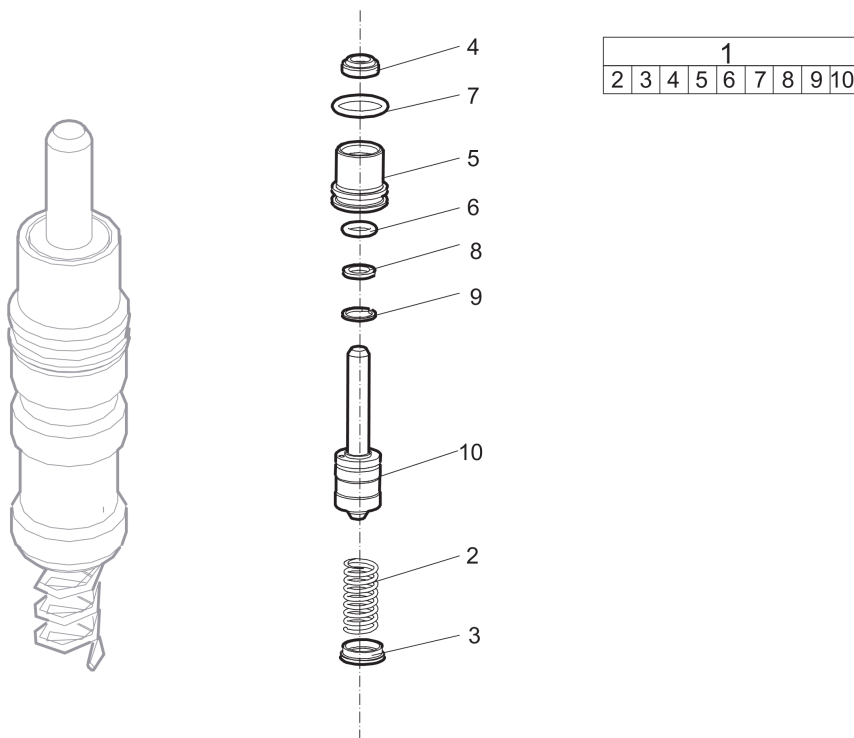
C | "20 lpm"

Kits Seal kit



Item	Part No.	Name	Qty	L
1	3371814057	Seal kit	1	
-	3371805503	Seal, Ø 0.31 x 0.55 x 0.14 x 0.20 in. (Ø 8 x 14 x 3.5 x 5 mm)	1	
-	3371814700	O-ring, Ø 0.33 x 0.09 in. (Ø 8.3 x 2.4 mm)	1	
-	3371814702	O-ring, Ø 0.64 x 0.09 in. (Ø 16.3 x 2.4 mm)	1	
-	3371814701	Back-up ring	1	
-	3371814712	Circlip	1	
-	3371805714	Seal	2	
-	3371814703	O-ring, Ø 0.95 x 0.12 in. (Ø 24.2 x 3 mm)	2	
-	3371814710	O-ring, Ø 1.30 x 0.08 in. (Ø 33 x 2 mm)	2	
-	3371814709	Seal ring, Ø 0.34 X 0.51 x 0.04 in. (Ø 8.7 X 13 x 1 mm)	1	
-	3371815738	Lock ring	1	
-	3371814754	Circlip	1	
-	3371814748	O-ring, Ø 0.98 x 0.06 in. (Ø 25 x 1.5 mm)	1	
-	3371814749	O-ring, Ø 0.51 x 0.06 in. (Ø 13 x 1.5 mm)	1	
-	3371820706	O-ring, Ø 0.87 x 0.06 in. (Ø 22 x 1.5 mm)	2	
-	3371814750	O-ring, Ø 0.47 x 0.06 in. (Ø 12 x 1.5 mm)	2	
-	3371814751	O-ring, Ø 2.72 x 0.06 in. (Ø 69 x 1.5 mm)	1	

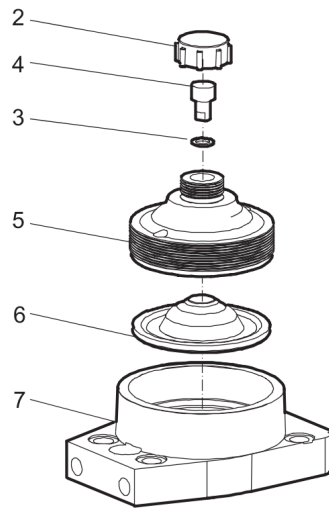
Kits Trigger valve kit



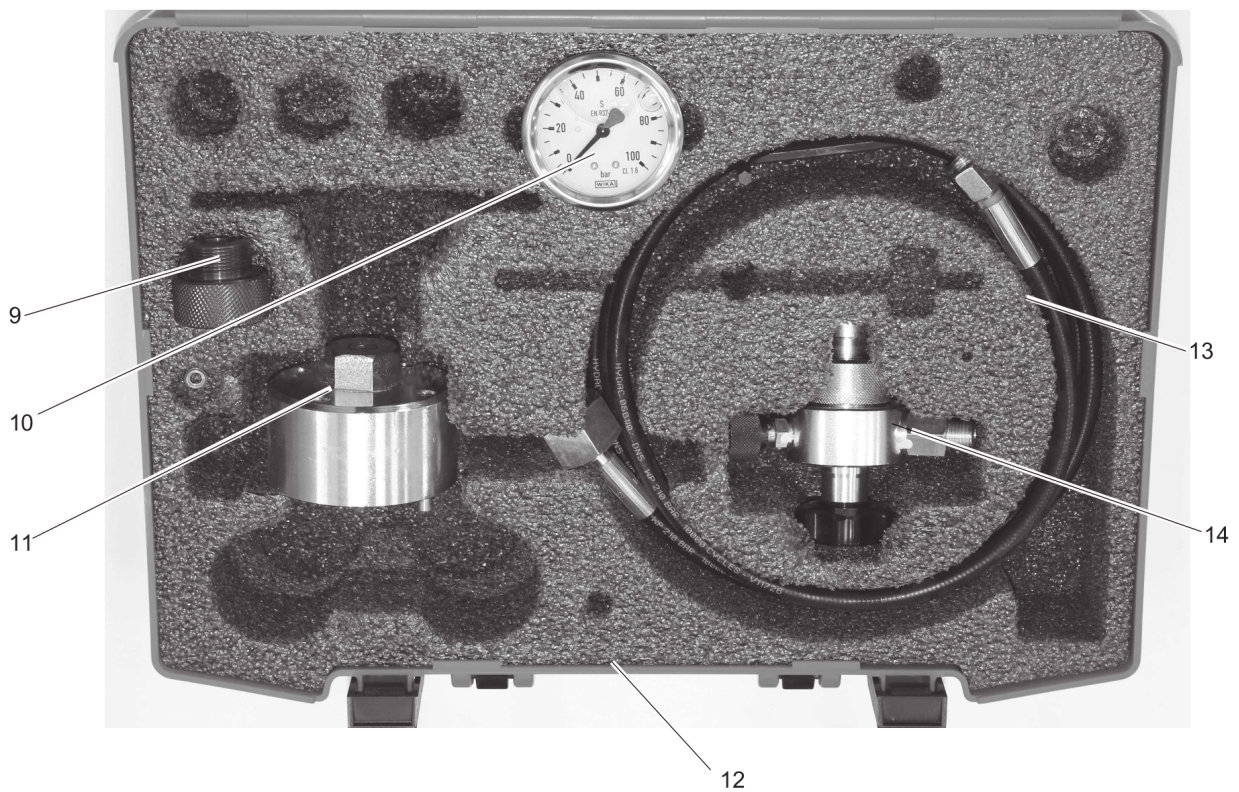
Item	Part No.	Name	Qty	L
1	3371814058	Trigger valve kit	1	
2	3371814163	Spring	1	
3	3371814752	Washer	1	
4	3371805503	Seal, Ø 0.31 x 0.55 x 0.14 x 0.20 in. (Ø 8 x 14 x 3.5 x 5 mm)	1	
5	3371814120	Packing gland	1	
6	3371814700	O-ring, Ø 0.33 x 0.09 in. (Ø 8.3 x 2.4 mm)	1	
7	3371814702	O-ring, Ø 0.64 x 0.09 in. (Ø 16.3 x 2.4 mm)	1	
8	3371814701	Back-up ring	1	
9	3371814712	Circlip	1	
10	3371820071	Trigger spool with rod	1	

Kits Accumulator kit

1						
2	3	4	5	6	7	



8													
9	10	11	12	13	14								



Refer to Parts Online for the most up to date information. The printed information might be outdated.

Thu Jun 25 06:35:37 MDT 2015

Item	Part No.	Name	Qty	L
1	3371814051	Accumulator kit	1	
2	3376117071	Protective nut, M24 x 1.5 mm	1	
3	3371814709	Seal ring, Ø 0.34 X 0.51 x 0.04 in. (Ø 8.7 X 13 x 1 mm)	1	
4	3371813103	Charging screw	1	
5	3371814102	Accumulator cover	1	
6	3371814052	Diaphragm	1	
7	3371814104	Accumulator body	1	
8	3371801155	Filling device kit	1	
9	3371807780	Adapter	1	
10	-	Manometer	1	
11	3371807760	Tool for accumulator	1	
12	-	Suitcase	1	
13	3371807779	Charging hose	1	
14	3371807778	Charging device	1	
Not Shown	-	Adapters	1	



**Chicago
Pneumatic**