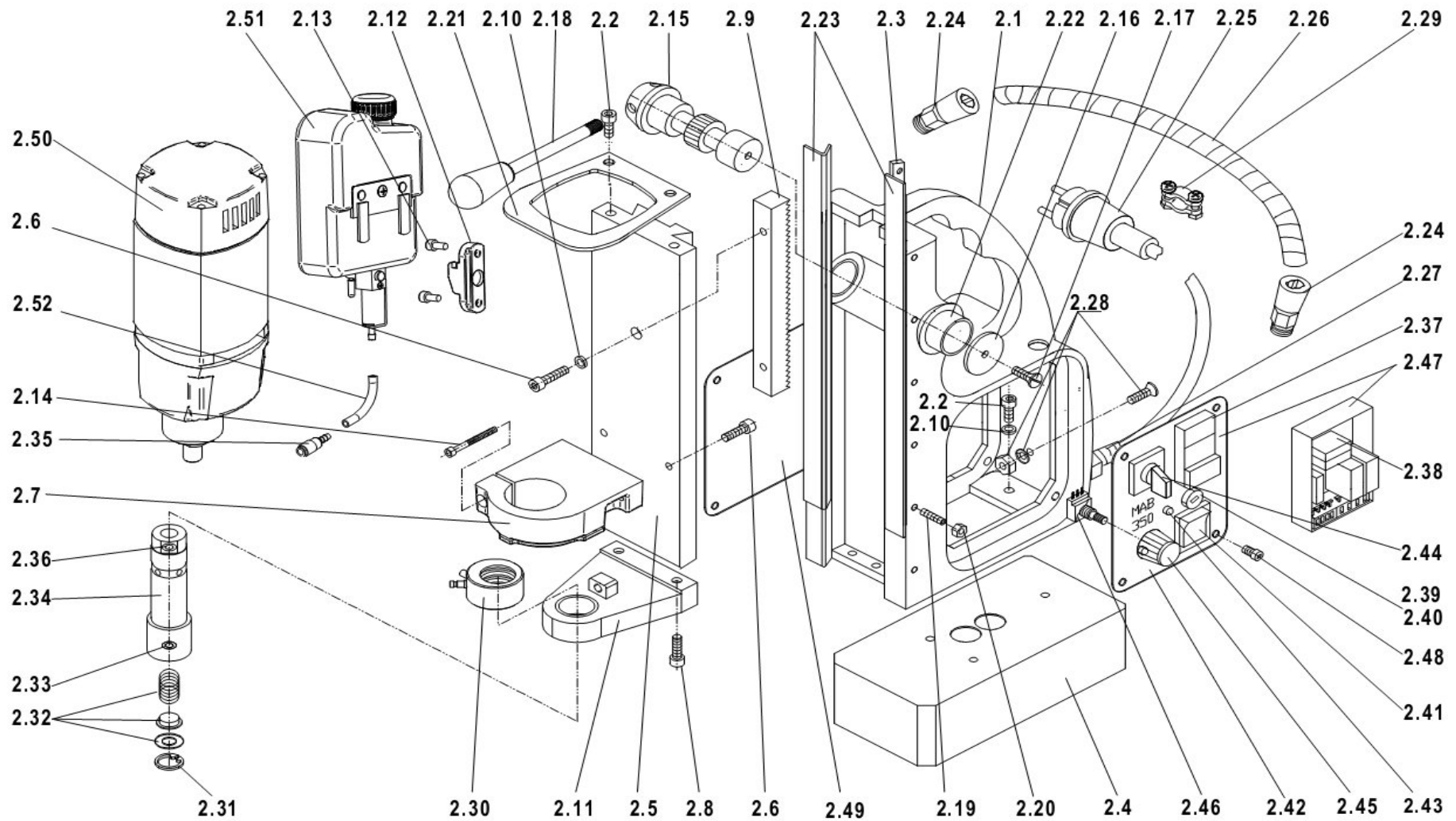


Pos. No.	Article no.	Description	pc
1.1	5010231	Screw HC 4,8x50 DIN 7981	4
1.2	5010191	Cap f or motor housing	1
1.3	5010021	Screw HC 4,2x13 DIN 7981	2
1.4	5010201	Motor housing complete with carbon brush holder	1
1.5	5010061	Ball bearing 608 2Z	1
1.6	5010131	Holder for capacitor	1
1.7	5010001	Screw M4x8 D8,5	2
1.8	5010011	Spring	2
1.9	5010141	Carbon brush 6,3x10x20	2
1.10.1	5010331	Field coil 110V	1
1.10.2	5010321	Field coil 230V	1
1.11	5010031	Screw HC 3,9x60 DIN 7981	2
1.12	5010251	Air conducting ring	1
1.13	5010271	Circlip ring 28/1,2 DIN 472	1
1.14	5012501	Ball bearing 6001 2RS	1
1.15	5010261	Circlip ring 10/1 DIN 471	1
1.16.1	5010311	Armature 110V	1
1.16.2	5010301	Armature 230V	1
1.17	5010091	Spindle gear 40 teeth	1
1.18	5010051	Washer 17x24x0,2 DIN 988	1
1.19	5010241	Ball bearing 6003 2RS	2
1.20	5010111	Spindle	1
1.21	5010211	Gear box case	1
1.22	5010291	Pin M4x12 DIN 1474	1
1.23	5010221	Screw HC 4,8x38 DIN 7981	4
1.24	5010071	Ball bearing 608	2
1.25	5010101	Intermedium gear wheel 34 teeth	1
1.26	5010121	Pinion shaft 8 teeth	1
1.27	5010281	Gear box bearing plate	1
1.28	5014641	Gear box seal	1
1.29	7010021	Gland PG 9	1

### MAB 350



Pos. No.	Article no.	Description	pc
2.1.1	6010001	Housing 4 holes	1
2.1.2	6010002	Housing 3 holes with groove	1
2.1.3	6010003	Housing 3 holes for 6 adjusting screws	1
2.1.4	6010004	Housing for guide rails both sides glued 3 holes for 4 adjusting screws	1
2.2	6010011	Hexagon socket M6x16 DIN 912	5
2.3.1	6010201	Adjustment rail right L:249 mm	1
2.3.2	6010202	Adjustment rail right L:259 mm	1
2.3.3	6010203	Adjustment rail right 6 holes L:259 mm	1
2.3.4	6010204	Adjustment rail right 4 holes L:249 mm	1
2.4	6010050	Magnet (electric) without indicator - universal	1
2.5.1	6010071	Dovetail carriage symmetrical L:253mm B:80mm hole distance 40mm	1
2.5.2	6010072	Dovetail carriage symmetrical L:253mm B:80mm hole distance 66mm	1
2.5.3	6010073	Dovetail carriage asymmetrical L:253mm B:80mm hole distance 66mm	1
2.6	6010091	Hexagon socket M6x20 DIN 912	4
2.7.1	6010101	Gear holder for motor fixing hole distance 40mm	1
2.7.2	6010102	Gear holder for motor fixing hole distance 66mm	1
2.8	6010111	Hexagon socket M6x25 DIN 912	2
2.9	6010081	Rack	1
2.10	6010021	Spring washer 6,1 DIN 7980	5
2.11	6010131	Holder for spindle	1
2.12	6015621	Holder for magnet without screws for cutting oil tank ZKK 100	1
2.13	6011491	Hexagon socket M5x12 DIN 912	2
2.14	6013171	Hexagon socket M6x35 DIN 912	1
2.15	6010211	Shaft for gear wheel	1
2.16	6010221	Washer for gear wheel 10,5x35x1,5	1
2.17	6010231	Screw M6x16 ISO 7047	1
2.18	6010242	Handle rod with knob	3
2.19	6010041	Adjusting screw for dovetail carriage M5x16 DIN 913	4
2.20	6010031	Nut M5 DIN 934	4
2.21	6010121	Motor support bracket	1
2.22	3020005	Slide bearing 28x32x12	2
2.23.1	6010191	Guide rail (1 set right/left) with fixing hole	1
2.23.2	6010192	Guide rail (1 set right/left) with groove L: 249mm	1
2.23.3	6010193	Guide rail (1 set right/left) with groove L: 259mm	1
2.23.4	6010194	Guide rail (1 set right/left) to be glued	1
2.24	7010021	Gland PG 9	2
2.25.1.1	7010052	Connection cable 110V with GB-plug	1
2.25.2.1	7010242	Connection cable 110V with US-plug	1
2.25.1.2	7010042	Connection cable 230V complete with plug	1
2.26	7010001	Cable protection tube 440mm	1
2.27	7010031	Mains cable gland PG 11	1
2.28	7010061	Earthing complete	1
2.29	4010291	Cord grip	1
2.30	6010172	Brass ring for coolant supply with quick coupling	1
2.31	6010161	Circlip ring JK1 9/1	1
2.32	6010151	Spring with washer	1
2.33	6010181	Set screw M8x8 DIN 913	2



Spare part list 2014

MAB 350 Stand

Pos. No.	Article no.	Description	pc
2.34	6010281	Spindle complete	1
2.35	ZSS 200K	Quick change coupling	1
2.36	6010311	Screw for spindle M6x1x6 DIN 913	2
2.37	7010111	Actuator	1
2.38.1	7010351	Control board with 2 relais 110V	1
2.38.2	7010341	Control board with 2 relais 230V	1
2.39	7010121	Fuse holder	1
2.40.1	7010991	Fuse 10A 110V	1
2.40.2	7010301	Fuse 6,3A 230V	1
2.41	7010142	Magnet switch, 4 connection terminals	1
2.42	7010262	Switch plate frontside	1
2.43	7010331	LED display green	1
2.44	7010271	Switch right/left	1
2.44.1	7010951	Operating device for switch right/left	1
2.44.2	7010961	Shaft for switch right/left	1
2.45	7010321	Switch for potentiometer complete	1
2.46	7010311	Potentiometer 220 kOhm	1
2.47.1	7010291	Switch plate complete with PC board 2 relais 110V	1
2.47.2	7010281	Switch plate complete with PC board 2 relais 230V	1
2.48	7010081	Screw M4x8 DIN 966	8
2.49	7011831	Cover of housing, back side	1
2.50.1	5003511	Motor complete 110V	1
2.50.2	5003501	Motor complete 230V	1
2.51	ZKK 101	Coolant reservoir with tap	1
2.52	ZSS 200S	Coolant tube blue, short 260mm	1

