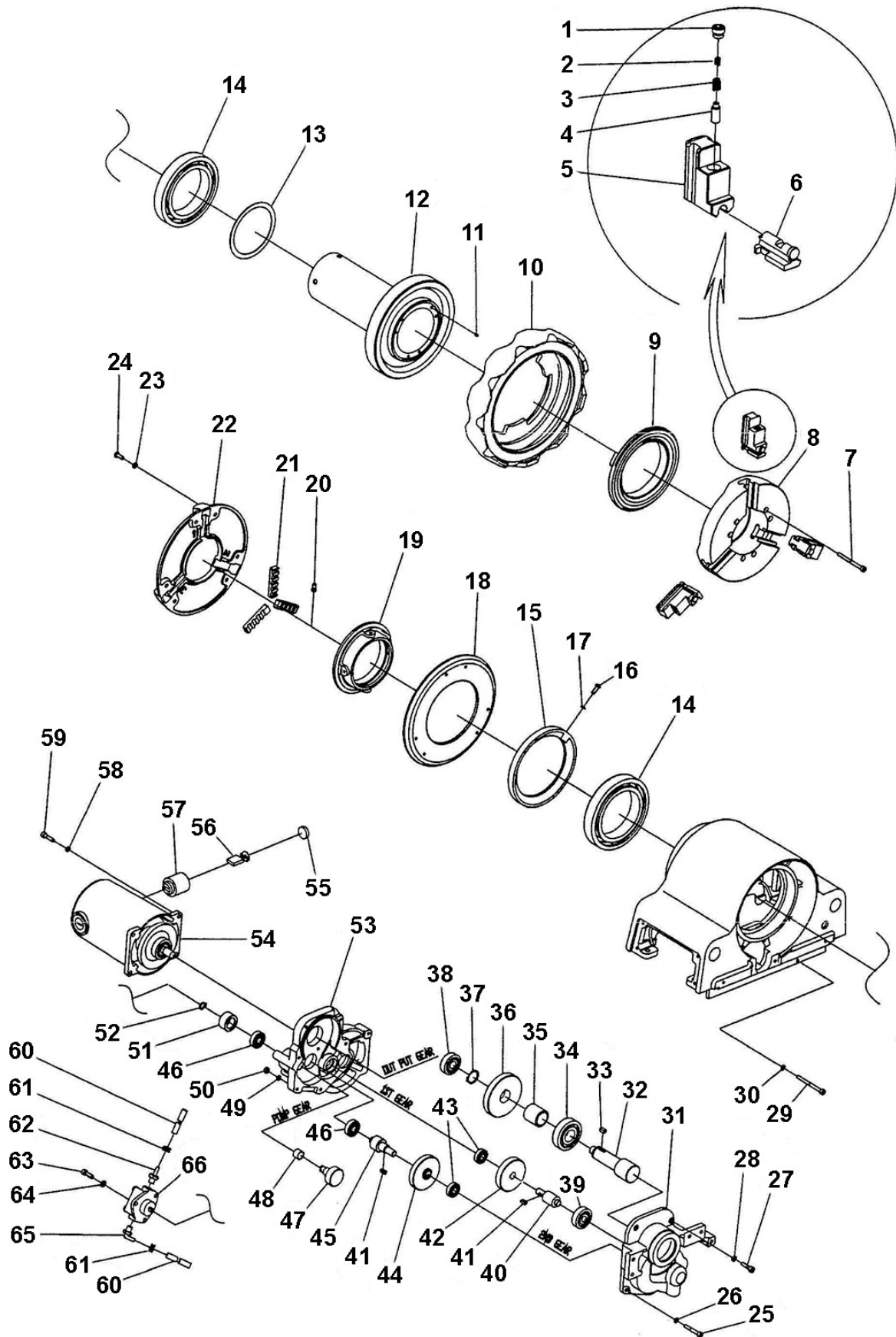


Item no.	Description	Article no.	Quantity
-	Supporting legs (4 pieces)	56491	1
1	Hex socket bolt M8x25L	83738	4
2	Spring washer CM8	81625	4
3	Spindle case	81674	1
4	Flat head srew M6x10L	81633	8
5	Machine plate 220V-240V	81675	1
5	Machine plate 100V-120V	81676	1
6	Machine plate cover	81704	1
7	3 SE Plate	81716	1
8	Switch plate cover	81721	1
9	Hose protection pipe	81678	1
10	Gear cover	81679	1
11	Spring washer CM6	81621	2
12	Pan head screw M6x12L	81648	2
13	Oil cover	81680	1
14	Spring washer CM6	81621	2
15	Pan head screw M6x12L	81648	2
16	Outer ring spacer	81681	1
17	Spring washer CM6	81621	1
18	Hex socket bolt M6x18L	83501	1
19	Hex socket bolt M8x45L	85979	2
20	Spring washer CM8	81625	2
21	Frame	81682	1
22	Guide bar R	81683	1
23	Pan head screw M6x12L	81648	1
24	Filter	84188	1
25	Guide bar F	81684	1
26	Plug1"	81685	1
27	Frame under cover	81686	1
28	Spring washer CM6	81621	4
29	Pan head screw M6x12L	81648	4
30	Suction pipe	81666	1
31	Connector GES8xPT1/4	81658	1
32	Hose clamp D=12	81657	1
33	Cord connector BS-PF 1/2	86902	1
34	Power cord CEE G4 meter	FF51089	2
34	Power cord 100V-120V	81667	1
35	Tooth look washer M6	81668	1
36	Pan head screw M6x8L	81669	1
37	Motor cover	81688	1
38	Hex socket bolt M6x20L	83782	4
39	Spring washer CM6	81621	4
40	Chip pan	81690	1
41	Strainer	84636	1
42	Oil tank lid	81691	1
43	Caution plate RO	87081	1
44	Caution sticker RO	87080	1
45	Thermal relay 106-P10-6A	87107	1
46	Thermal relay cap	87109	1
47	CE-Coil capacitor compl. 230V since august 2010	87108	1
48	Foot switch RO	56335	1
49	RO Sticker	87104	1
50	Warning sticker RO	87105	1
51	Threaded pin (4 pieces)	1500000983	1

IMPORTANT! To assure safety and reliability, repairs, maintenance and adjustment must be preformed by ROTHENBERGER Kelkheim or authorized Service-Centers. Always use Original-Service-Parts. Order your accessories and spare parts from your specialist retailer or using our Service After Sales hotline



hammer chuck, scroll and gears

dated: 01/17

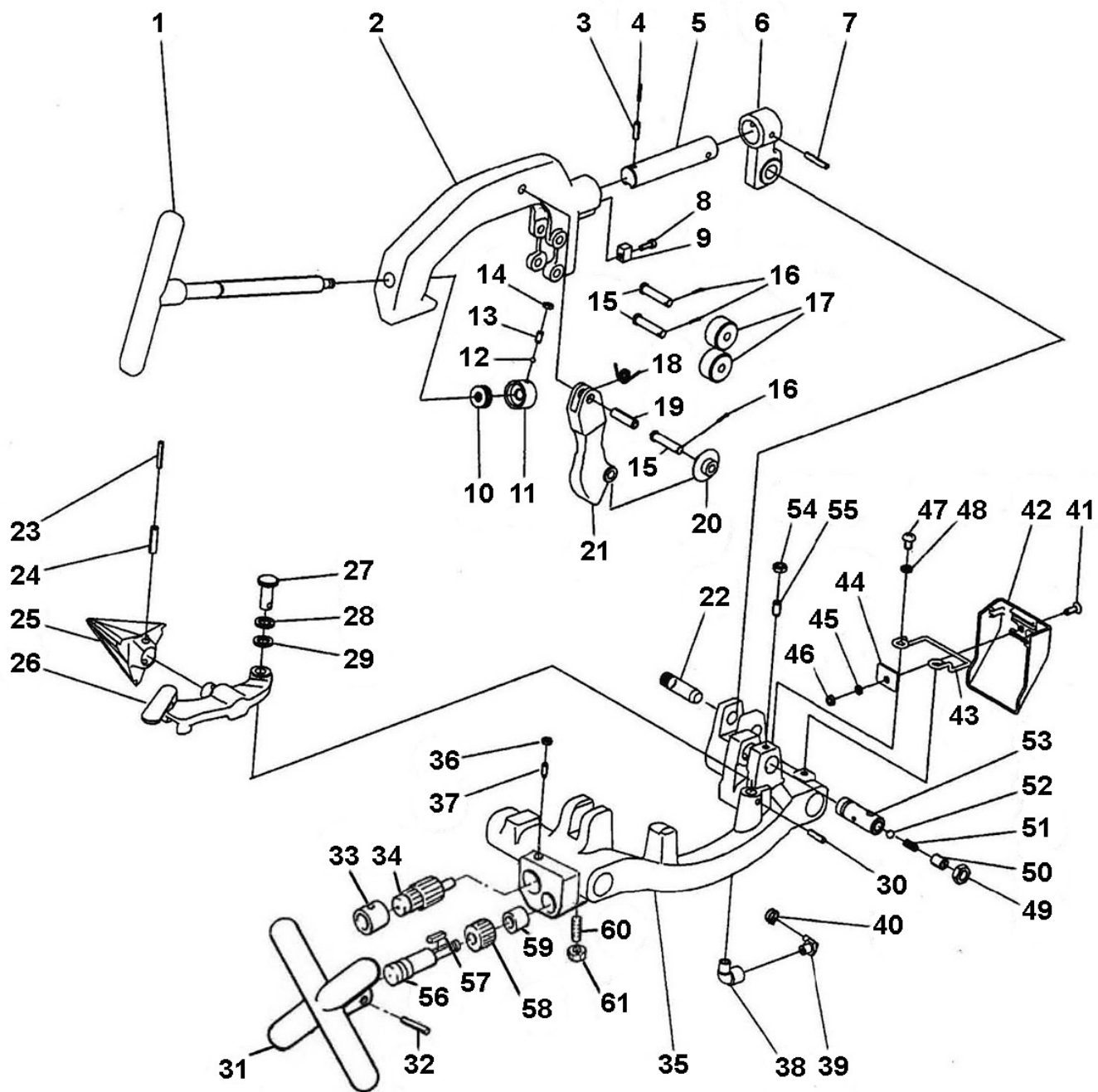
Item no.	Description	Article no.	Quantity
1	Hammer chuck bolt	81693	3
2	Hammer chuck spring B	81694	3
3	Hammer chuck spring A	81695	3
4	Hammer chuck pin	81696	3
5	Hammer chuck jaw assembly	81697	1 set
6	Jaw insert complete	81720	1 set
7	Hex socket bolt M6x70L	81606	6
8	Hammer chuck body	81613	1
9	Hammer chuck scroll	81735	1
10	Hammer chuck outer ring	81615	1
11	Pre-load spring	85823	6
12	Spindle gear compl.	81626	1
13	Thrust plate	86934	1
14	Ball bearing 6020 2RS	81627	2
15	Scroll ring	81660	1
16	Pan head screw M6x18L	81698	1
17	Spring washer CM6	81621	1
18	Scroll cap	81699	1
19	Scroll	81700	1
20	Scroll stop bolt	86929	4
21	Scroll jaw set	86928	1
22	Scroll body	81737	1
23	Spring washer CM6	81621	6
24	Pan head screw M6x18L	81698	6
25	Hex socket bolt M6x40L	81623	1
26	Spring washer CM6	81621	1
27	Hex socket bolt M6x25L	H98368	5
28	Spring washer CM6	81621	5
29	Hex socket bolt M6x70L	81606	1
30	Spring washer CM6	81621	1
31	Case cover bracket	81738	1
32	Output shaft pinion	81739	1
33	Key 6x6x13	83344	1
34	Ball bearing 6305ZZ	81740	1
35	Output collar	81741	1
36	Output shaft reduction gear	81742	1
37	C Snap ring S-25	85837	1
38	Ball bearing 6302ZZ	81743	1
39	Ball bearing 6301ZZ	86950	1
40	1st Shaft pinion	81744	1
41	Key 5x5x13	83189	2
42	1st Shaft reduction gear	81745	1
43	Ball bearing 6001ZZ	88609	2
44	2nd Shaft reduction gear	81746	1
45	2nd Shaft pinion	81747	1
46	Ball bearing 6201ZZ	85902	2
47	Pump gear	81748	1
48	Bush LFB1512	81749	1
49	Spring washer CM6	81621	7
50	U-Nut M6	81711	1
51	Pump collar	81751	1
52	C Snap ring S-12	84072	2
53	Spindle case cover	81752	1
54	Motor 100V-120V	81753	1
54	Motor 220V-240V	81754	1
55	Carbon cap	83694	2
56	Carbon brush	83690	1 set
57	Carbon holder	83692	2
58	Spring washer CM6	81621	4
59	Hex socket bolt M6x25L	H98368	4
60	Urethane hose WP15	81656	2
61	Hose clamp D=12	81657	2
62	Connector GES8xPT1/4	81658	1
63	Hex socket bolt M6x18L	83501	3
64	Spring washer CM6	81621	3
65	Elbow WES8xPT1/4	81661	1
66	Trochoid pump SP27AR	81755	1
87075	Armature 100V-120V	87075	1
87076	Stator 220V-240V	87076	1
87078	Stator 100V-120V	87078	1

hammer chuck, scroll and gears

dated: 01/17

Item no.	Description	Article no.	Quantity
87079	Armature 220V-240V	87079	1
set	Drive compl.	81701	1 set
set	Scroll assembly (18-24)	81736	1
set	Hammer chuck complete (1-6,8-10)	81732	1
set	Jaw set assembly (1-6)	81733	1set
set	Jaws insert Set (2,3,4,6)	56177	1 set

IMPORTANT! To assure safety and reliability, repairs, maintenance and adjustment must be performed by ROTHENBERGER Kelkheim or authorized Service-Centers. Always use Original-Service-Parts. Order your accessories and spare parts from your specialist retailer or using our Service After Sales hotline



Item no.	Description	Article no.	Quantity
1	Cutter handle compl.	81730	1
2	Cutter body	81702	1
3	Spring pin D=6x20L	84191	1
4	Spring pin D=3.5x20L	81607	1
5	Cutter guide bar	81705	1
6	Cutter bracket	81706	1
7	Spring pin D=6x36L	85778	1
8	Hex socket bolt M5x15L	85862	1
9	Cutter key	85861	1
10	Thrust bearing 51100	88067	1
11	Feed screw head	83396	1
12	Steel ball 3/16 "	83485	1
13	Hex socket set bolt M6x12L	83510	1
14	Nex nut M6	84169	1
15	Cutter blade set pin	83308	3
16	Split pin D=2x15L	83754	3
17	Cutter roller	83156	2
18	Bracket spring	83752	1
19	Spring pin D=10x36L	85757	1
20	Cutter blade no. 3	70074	1
21	Cutter blade holder	81707	1
22	Cutter pin	81708	1
23	Spring pin D=5x32L	81619	1
24	Spring pin D=8x32L	85791	1
25	Reamer blade	56199	1
26	Reamer holder	81728	1
27	Holder pin	85788	1
28	Spring washer M12	85789	1
29	Plain washer S M12	85790	1
30	Spring pin D=6x24L	86876	1
31	Rack handle	81631	1
32	Spring pin D=6x40L	85916	1
33	Pinion metal	85875	1
34	Rack pinion	84121	1
35	Carriage	81653	1
36	Hex nut M6	84169	1
37	Hex socket set bolt M6x22L	86871	1
38	Street elbow	81673	1
39	Elbow WES8xPT1/4	81661	1
40	Hose clamp D=12	81657	1
41	Flat head screw M6x15L (parker)	81642	1
42	Splashpooof plate	81644	1
43	Splashpooof plate holder	81645	1
44	Holder plate	86899	1
45	Spring washer CM6	81621	1
46	Hex nut M6	84169	1
47	Pan head screw M8x12L	81624	2
48	Spring washer CM8	81625	2
49	Hex nut M12	81032	1
50	Oil adjust screw	86783	1
51	Oil adjust spring	83327	1
52	Steel ball 5/16	85805	1
53	Die head set pin	85886	1
54	Hex nut M8	FF54352	1
55	Hex socket set bolt M8x15L	86875	1
56	Pinion shaft	87020	1
57	Parallel key 5x5x23L	87019	1
58	Rack gear	87018	1
59	Shaft metal	87017	1
60	Hex socket set bolt M6x22L	86871	1
61	Hex nut M6	84169	1
set	Rack handle compl. (31-33)	81630	1
set	Pipe cutter assembly (1-21)	81729	1
set	Reamer assembly (23-25)	81731	1

IMPORTANT! To assure safety and reliability, repairs, maintenance and adjustment must be performed by ROTHENBERGER
pipe cutter, carriage and reamer Key Service-Partners. Always use Original-Service-Parts. Order your accessories and spare parts
from your specialist retailer or using our Service After Sales hotline **dated 01/17**