

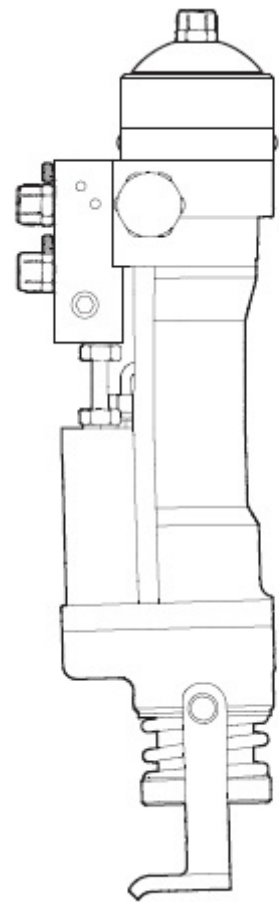


Chicago  
Pneumatic

## Spare parts list

Rock drills

RDR 48M



## General information

This spare parts list applies to the following:

Part number	Description
1801380005	RDR 48M

Use only authorized parts. Any damage or malfunction caused by the use of unauthorized parts is not covered by Warranty or Product Liability. Any unauthorized use or copying of the contents or any part thereof is prohibited. This applies in particular to trademarks, model denominations, part numbers, and drawings.

### Instructions for use

This spare parts list contains no safety regulations and is merely intended to assist in the ordering of spare parts.

For information about operating, servicing, or repairing, the relevant Safety and operating instructions must be consulted at all costs.

Please observe the safety instructions listed in the relevant Safety and operating instructions!

## Contents

### Spare parts list

RDR 48 M	1
Handle standard	6

### Kits

Seal kit	9
Accumulator kit	11

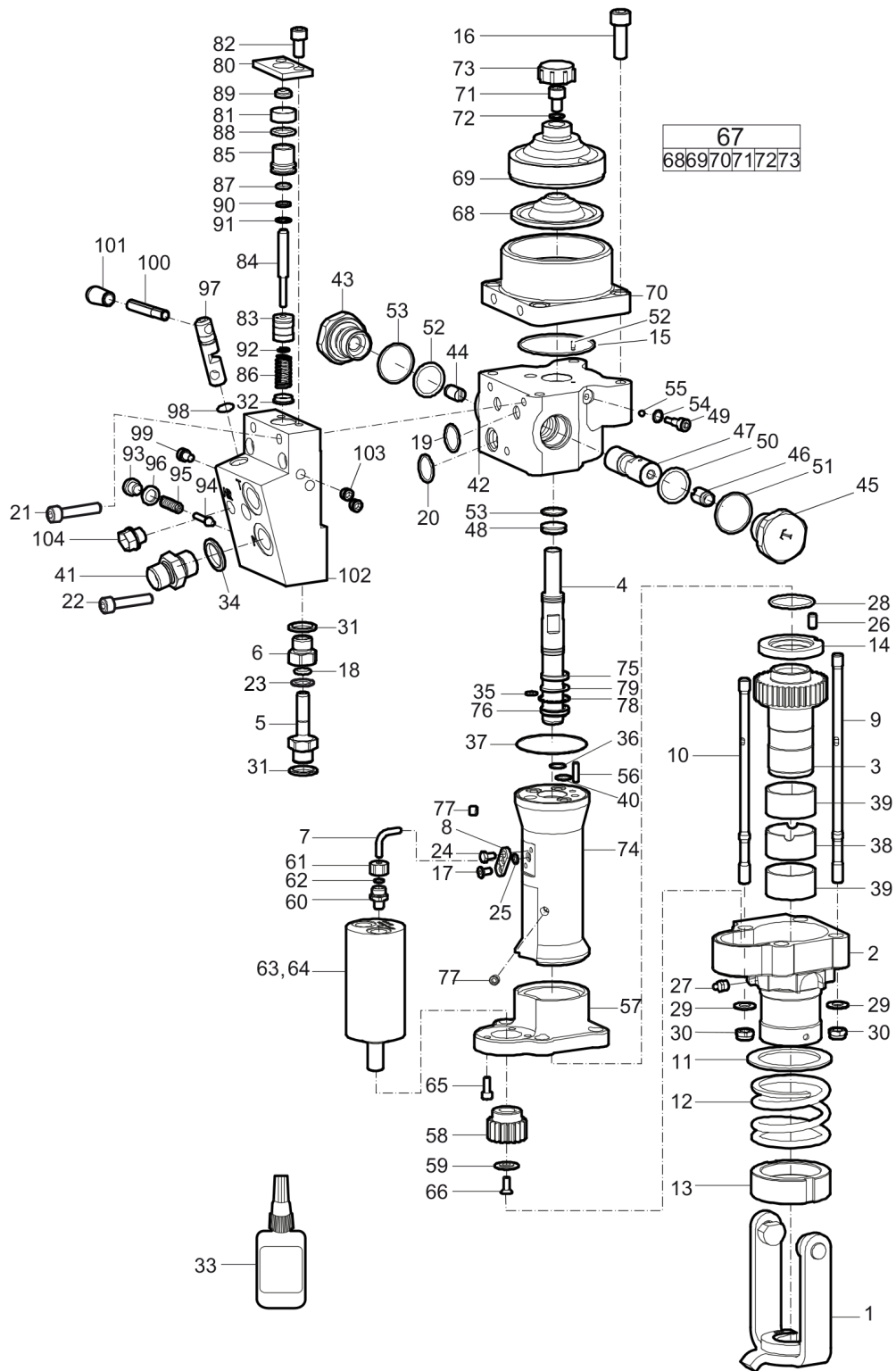
### Accessories

Hoses and couplings	13
---------------------	----

### Working tools

Hexagon 7/8 x 4 1/4 in.	15
-------------------------	----

Spare parts list RDR 48 M



Refer to the Parts Online web page for most up-to-date information. The printed information might be outdated.

Item	Part No.	Name	Qty	L	SN INFO
1	3371817054	Chisel retainer complete	1		
2	3371817177	Gear flange	1		
3	3371817150	Bushing	1		
4	3371817104	Striking piston	1		
5	3371817174	Flange socket	2		
6	3371817175	Pipe holder	2		
7	3371817107	Drain pipe	1		
8	3371817108	Tightening plate	1		
9	3371817109	Stay bolt long	2		
10	3371817110	Stay bolt short	2		
11	3371817145	Washer	1	A	
12	3371817146	Spring	1	B	
13	3371817147	Coupling nut	1	C	
14	3371817141	Thrust washer	1		
15	3371817700	O-ring, 60 x 2 mm (2.36 x 0.08 in.)	1		
16	3371817720	Screw, M10 x 30 mm	4		
17	3371817727	Screw, M6 x 12 mm	1		
18	3371817755	O-ring, 9.13 x 2.62 mm (0.36 x 0.1 in.)	1		
19	3371817701	O-ring, 20 x 2 mm (0.79 x 0.08 in.)	1		
20	3371817702	O-Ring, 16 x 2 mm (0.63 x 0.08 in.)	1		
21	3377000477	Screw, M8 x 35 mm, Use LOCTITE® 245™	1		
22	3371817765	Screw, M8 x 50 mm	1		
23	3371817756	Back-up ring, 10 x 14 mm (0.39 x 0.55 in.)	2		
24	3371817724	Screw, M6 x 10 mm	1		
25	3371817757	O-ring, ø6 x 2mm(ø0.24 x 0.08 in.)	1		
26	3371817739	Cylinder pin, 8 x 14 mm , 0.31 x 0.55 in.	1		
27	3371816708	Grease nipple, 1/8 in. RG	1		
28	3371817704	O-Ring, 40 x 3 mm (1.57 x 0.12 in.)	1		
29	3371817718	Washer, 14 mm , 0.55 in.	4		
30	3371817714	Nut, MF 14 x 1.5 mm	4		
31	3377016375	Seal ring - Bounded seal - Oil outlet 3/8 USS	2		
32	3371817725	Stop screw, M6 x 12 mm	1		
33	3371807737	Loctite®648	1	D	
34	3371805714	U-seal ring 1/2	1	E	
35	3371817309	Protective cap, for 1/2 in. BSP	2		
36	3371814750	O-ring, Ø 0.47 x 0.06 in. (Ø 12 x 1.5 mm)	2		
37	3371814751	O-ring, Ø 2.72 x 0.06 in. (Ø 69 x 1.5 mm)	1		
38	3371817179	Ina ring IR, Ø45/50 x 25 mm , Ø1.77/1.96 x 0.98 in.	1		

Refer to the Parts Online web page for most up-to-date information. The printed information might be outdated.

Item	Part No.	Name	Qty	L	SN INFO
39	3371817763	Ina ring IR, Ø45/50 x 25 mm , Ø1.77/1.96 x 0.98 in.	2		
40	3371814749	O-ring, Ø 0.51 x 0.06 in. (Ø 13 x 1.5 mm)	1		
41	3371805711	Nipple, 1/2 in. BSP	2	F	
42	3371817115	Valve housing	1		
43	3371814114	Guide socket P	1		
44	3371814113	Auxiliary spool P	1		
45	3371814116	Guide socket T	1		
46	3371814115	Auxiliary spool T	1		
47	3371814112	Spool	1		
48	3371817154	Sealing washer	1		
49	3371817155	Screw	1	G	
50	3371814703	O-ring, Ø 0.95 x 0.12 in. (Ø 24.2 x 3 mm)	2		
51	3371814710	O-ring, Ø 1.30 x 0.08 in. (Ø 33 x 2 mm)	2		
52	3371814736	Blind nut, Ø3 mm , Ø0.12 in.	1		
53	3371817705	O-Ring, 21 x 2 mm (0.83 x 0.08 in.)	1		
54	3371817712	Seal ring, 7 / 10 x 1 mm (0.28 / 0.39 x 0.04 in.)	1		
55	3371817748	Steel ball, Ø4.5 mm , Ø0.18 in.	1		
56	3371817741	Roll pin, Ø5 x 20 mm , 0.20 x 0.79 in.	1		
57	3371817133	Motor flange	1		
58	3371817135	Gear wheel	1		
59	3371817136	Back-up washer	1		
60	3371817148	Packing gland	1		
61	3371817149	Coupling nut	1		
62	3371817757	O-ring, ø6 x 2mm(ø0.24 x 0.08 in.)	1		
63	3371817746	Motor	1	H	
64	3371817205	Hydraulic motor	1	I	
65	3371817726	Screw, M8 x 15 mm	3		
66	3371817764	Screw	1		
67	3371817002	Accumulator, complete	1		
68	3371814052	Diaphragm	1		
69	3371814102	Accumulator cover	1		
70	3371817111	Accumulator body	1		
71	3371813103	Charging screw	1		
72	3371814709	Seal ring, Ø 0.34 X 0.51 x 0.04 in. (Ø 8.7 X 13 x 1 mm)	1		
73	3371813710	Protective cap, M24 x 1.5 mm	1		
74	3371817102	Cylinder	1		
75	3371814172	Seal ring, 28 / 36 x 5.7 mm (1.10 / 1.42 x 0.22 in.)	1		
76	3371814707	Seal, 28 / 38 x 7 / 10 mm (1.10 / 1.5 x 0.28 / 0.39 in.)	1		

Refer to the Parts Online web page for most up-to-date information. The printed information might be outdated.

Item	Part No.	Name	Qty	L	SN INFO
77	3371814733	Fitting	3	J	
78	3371814754	Circlip	1		
79	3371814169	Back-up washer, 28.7 x 38 x 2 mm (1.13 x 1.5 0.08 in.)	1		
80	3371817186	Trigger plate	1		
81	3371817187	Spacer pipe	1		
82	3377121508	Screw, M8 x 16 mm, Use LOCTITE® 245™	2		
83	3371814161	Trigger spool	1		
84	3371815166	Trigger rod	1		
85	3371814120	Packing gland	1		
86	3371814163	Spring	1		
87	3371814700	O-ring, Ø 0.33 x 0.09 in. (Ø 8.3 x 2.4 mm)	1		
88	3371814702	O-ring, Ø 0.64 x 0.09 in. (Ø 16.3 x 2.4 mm)	1		
89	3371805503	Seal, Ø 0.31 x 0.55 x 0.14 x 0.20 in. (Ø 8 x 14 x 3.5 x 5 mm)	1		
90	3371814701	Back-up ring	1		
91	3371814712	Circlip	1	K	
92	3371814732	Circlip	2	L	
93	3371817740	Plug	1	M	
94	3371817130	Torque limiter	1		
95	3371817131	Spring	1	N	
96	3377016125	Seal ring, 3.17 mm (1/8 in.)	1	O	
97	3371817185	Air valve	1		
98	3376100008	O-ring, Ø10 x 2 mm (Ø0.39 x 0.07 in.)	1		
99	3371817728	Screw	1		
100	3371817767	Roll pin, Ø8 x 50 mm, Ø0.31 x 1.96 in.	1		
101	3371817766	Tip, Ø8 mm, Ø0.31 in.	1		
102	3371817188	Connecting block	1		
103	3371814733	Fitting	2	P	
104	3371817742	Plastic plug, 6.35 mm (1/4 in.)	1	Q	

Comments for Page: RDR 48 M

LOCTITE is a registered trademark of Henkel Corporation. 648 is a trademark of Henkel Corporation.

(L)OCAL REMARKS

A | for spring

B | for chisel retainer

C | for spring

Refer to the Parts Online web page for most up-to-date information. The printed information might be outdated.

D | 50 ml

1.70 oz

E | Bonded seal 1/2in. BS

F | 1/2in. BSP M - 1/2in. BSP M

G | for check valve

H | OMM 32, clockwise rotation

I | OMM 32, counter-clockwise rotation

J | 02 KRG

K | SB 12

L | SW 8

M | G 1/8in. incl. seal

N | for torque limiter

O | Bonded seal 1/8in. BSP

P | 02 KRG

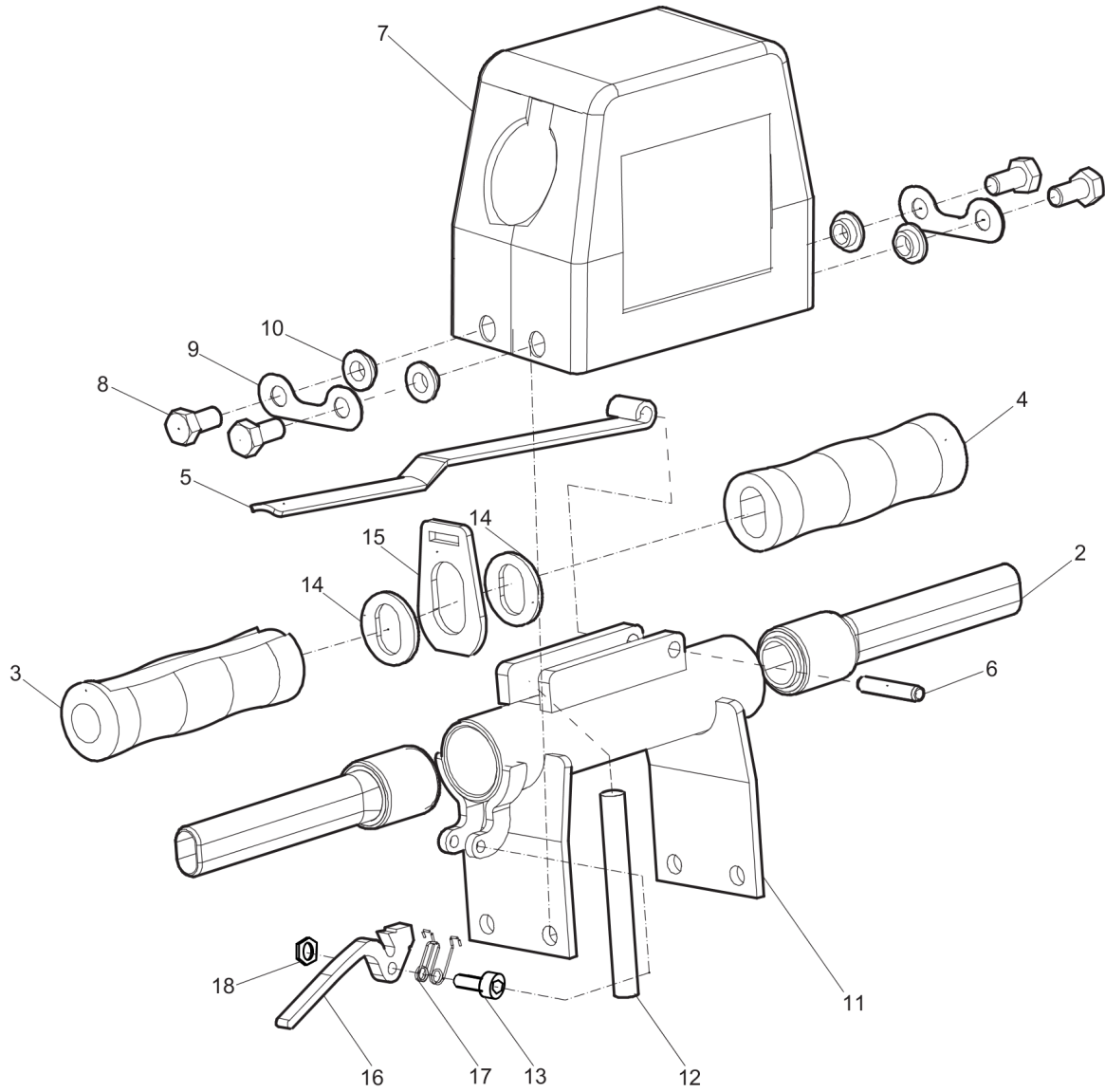
Q | 1/4in.



This page intentionally left blank

Spare parts list Handle standard

1																	
2	3	4	5	6	7	8	9	10	11	12	13	14	15	16	17	18	



Refer to the Parts Online web page for most up-to-date information. The printed information might be outdated.

Item	Part No.	Name	Qty	L	SN INFO
1	3371820045	Handle standard, complete	1	A	
2	3371820204	Handle standard	2		
3	3371820135	Rubber handle	1		
4	3371820134	Rubber handle	1		
5	3371820238	Trigger	1	B	
6	3371815733	Roll pin, Ø 0.31 x 1.6 in., Ø 8 x 40 mm	1		
7	3371820041	Top cover	1		
8	3371815722	Bolt, M10 x 20 mm	4		
9	3371815131	Nab	2		
10	3371815113	Spacer	4		
11	--	Bracket	1		
12	3371820207	Nylon guide	1		
13	3378206044	Screw, M6 x 30 mm	1		
14	3371820747	Washer nylon, Ø 0.83 x 1.46 x 0.12 in., Ø 21 x 37 x 3 mm	2		
15	3371820237	Lock plate	1		
16	3371820236	Safety trigger	1		
17	3371820152	Spring	1		
18	3371814716	Nut, M6	1		

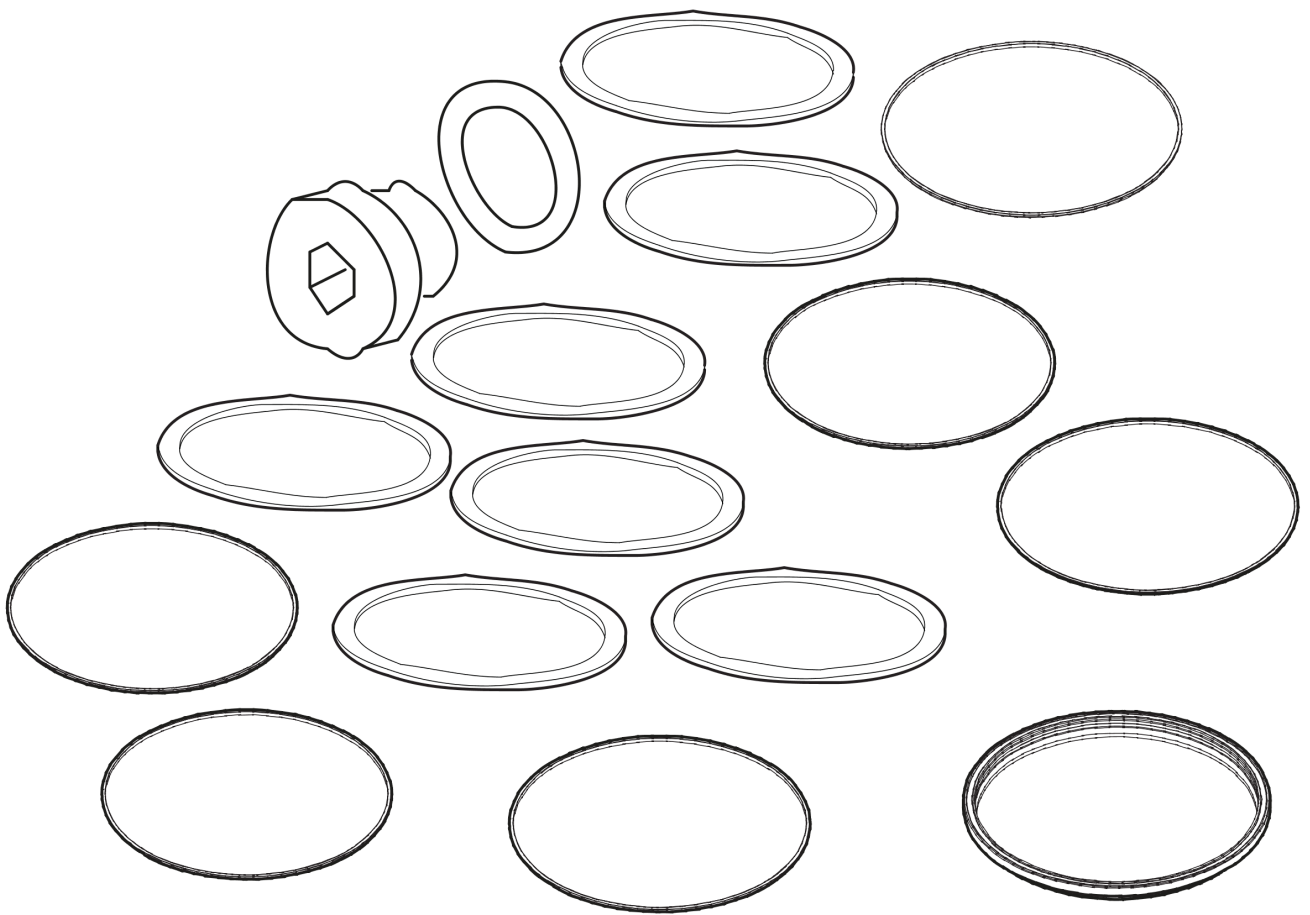
Comments for Page: Handle standard

(L)OCAL REMARKS

A | With plastic cover

B | Standard

**Kits** Seal kit

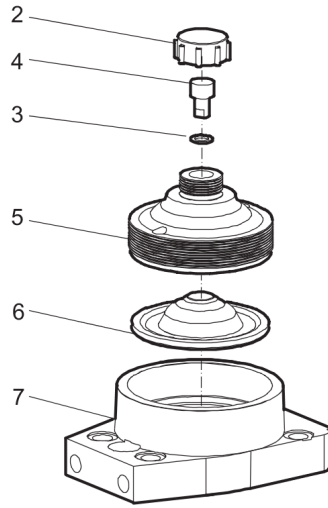


Item	Part No.	Name	Qty	L	SN INFO
1	3371817035	Seal kit	1		
-	3371817700	O-ring, 60 x 2 mm (2.36 x 0.08 in.)	1		
-	3371817755	O-ring, 9.13 x 2.62 mm (0.36 x 0.1 in.)	2		
-	3371817701	O-ring, 20 x 2 mm (0.79 x 0.08 in.)	2		
-	3371817702	O-Ring, 16 x 2 mm (0.63 x 0.08 in.)	1		
-	3371817756	Back-up ring, 10 x 14 mm (0.39 x 0.55 in.)	3		
-	3371817757	O-ring, ø6 x 2mm(ø0.24 x 0.08 in.)	2		
-	3371817704	O-Ring, 40 x 3 mm (1.57 x 0.12 in.)	1		
-	3377016375	Seal ring - Bounded seal - Oil outlet 3/8 USS	2		
-	3371814750	O-ring, Ø 0.47 x 0.06 in. (Ø 12 x 1.5 mm)	2		
-	3371814751	O-ring, Ø 2.72 x 0.06 in. (Ø 69 x 1.5 mm)	1		
-	3371814749	O-ring, Ø 0.51 x 0.06 in. (Ø 13 x 1.5 mm)	1		
-	3371814703	O-ring, Ø 0.95 x 0.12 in. (Ø 24.2 x 3 mm)	2		
-	3371814710	O-ring, Ø 1.30 x 0.08 in. (Ø 33 x 2 mm)	2		
-	3371817705	O-Ring, 21 x 2 mm (0.83 x 0.08 in.)	1		
-	3371817712	Seal ring, 7 / 10 x 1 mm (0.28 / 0.39 x 0.04 in.)	1		
-	3371814709	Seal ring, Ø 0.34 X 0.51 x 0.04 in. (Ø 8.7 X 13 x 1 mm)	1		
-	3371814172	Seal ring, 28 / 36 x 5.7 mm (1.10 / 1.42 x 0.22 in.)	1		
-	3371814707	Seal, 28 / 38 x 7 / 10 mm (1.10 / 1.5 x 0.28 / 0.39 in.)	1		
-	3371814169	Back-up washer, 28.7 x 38 x 2 mm (1.13 x 1.5 0.08 in.)	1		
-	3371814754	Circlip	1		
-	3371813710	Protective cap, M24 x 1.5 mm	1		
-	3371814700	O-ring, Ø 0.33 x 0.09 in. (Ø 8.3 x 2.4 mm)	1		
-	3371814702	O-ring, Ø 0.64 x 0.09 in. (Ø 16.3 x 2.4 mm)	1		
-	3371805503	Seal, Ø 0.31 x 0.55 x 0.14 x 0.20 in. (Ø 8 x 14 x 3.5 x 5 mm)	1		
-	3371814701	Back-up ring	1		
-	3377016125	Seal ring, 3.17 mm (1/8 in.)	1		
-	3376100008	O-ring, Ø10 x 2 mm (Ø0.39 x 0.07 in.)	1		
-	3371817742	Plastic plug, 6.35 mm (1/4 in.)	1		
-	3371805714	U-seal ring 1/2	2		
-	3371814712	Circlip	1		

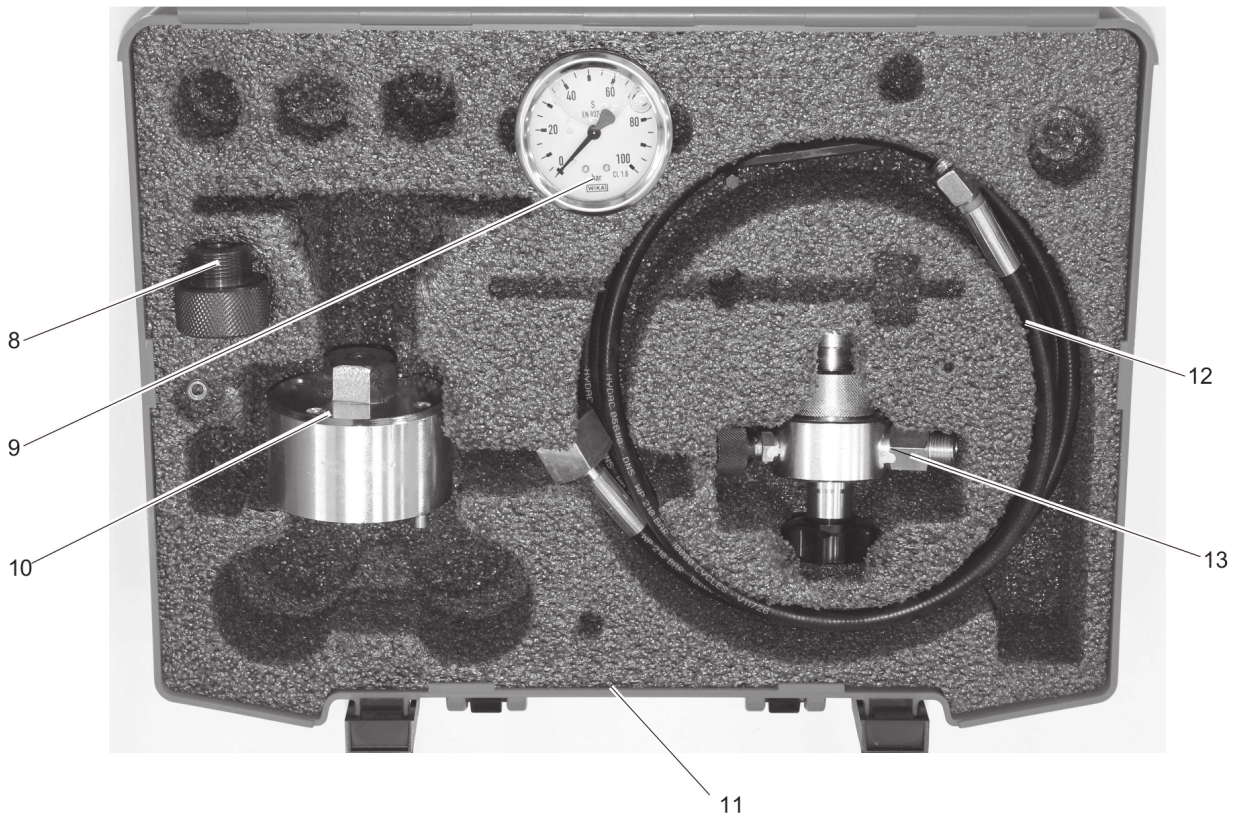
Refer to the Parts Online web page for most up-to-date information. The printed information might be outdated.

**Kits** Accumulator kit

1						
2	3	4	5	6	7	



8					
9	10	11	12	13	14



Refer to the Parts Online web page for most up-to-date information. The printed information might be outdated.

Item	Part No.	Name	Qty	L	SN INFO
1	3371814051	Accumulator kit	1		
2	3376117071	Protective nut, M24 x 1.5 mm	1		
3	3371814709	Seal ring, Ø 0.34 X 0.51 x 0.04 in. (Ø 8.7 X 13 x 1 mm)	1		
4	3371813103	Charging screw	1		
5	3371814102	Accumulator cover	1		
6	3371814052	Diaphragm	1		
7	3371814104	Accumulator body	1		
8	3371801155	Filling device kit	1		
9	3371807780	Adapter	1		
10	-	Manometer	1		
11	3371807760	Tool for accumulator	1		
12	-	Suitcase	1		
13	3371807779	Charging hose	1		
14	3371807778	Charging device	1		
Not Shown	-	Adapters	1		

**Accessories** Hoses and couplings

NO EXPLODED VIEW  
AVAILABLE  
FOR THIS BOM



Item	Part No.	Name	Qty	L	SN INFO
1	3371801083	Connection hydraulic hose, complete	1		
-	3371803050	Hose, Ø 1/2 in. L = 16 in., Ø 12.5 mm L = 0.4 m	2		
-	3371805714	U-seal ring 1/2	2		
-	3371805133	Quick-release coupling, Female 1/2 in. BSP	1		
-	3371805134	Quick-release coupling, Male 1/2 in. BSP	1		
-	3371805733	Protective cap	1	A	
-	3371805732	Protective cap	1	B	
2	3371801087	Twin hose, complete, Ø 1/2 in. L = 23 ft. , Ø 12.5 mm L = 7 m	1		
-	3371803052	Twin hose, Ø 1/2 in. L = 23 ft., Ø 12.5 mm L = 7 m	1		
3	3371801190	Connection hose, complete, Ø 1/2 in. L = 62 in., Ø 12.5 mm L = 1.6 m	1		
-	3371803064	Hose, Ø 1/2 in. L = 62 in., Ø 12.5 mm L = 1.6 m	2		
-	3371805714	U-seal ring 1/2	2		
-	3371805133	Quick-release coupling, Female 1/2 in. BSP	1		
-	3371805134	Quick-release coupling, Male 1/2 in. BSP	1		
-	3371805733	Protective cap	1		
-	3371805732	Protective cap	1		
-	3371802115	Label P	1	C	
4	3371801094	Flushing hose, Ø ½ in. L=20 in., Ø12,5mm L=500mm	1		
5	-	Male coupling NIP 15 H13	1		
6	8202130418	Female coupling QIC15 H13	1		

Comments for Page: Hoses and couplings

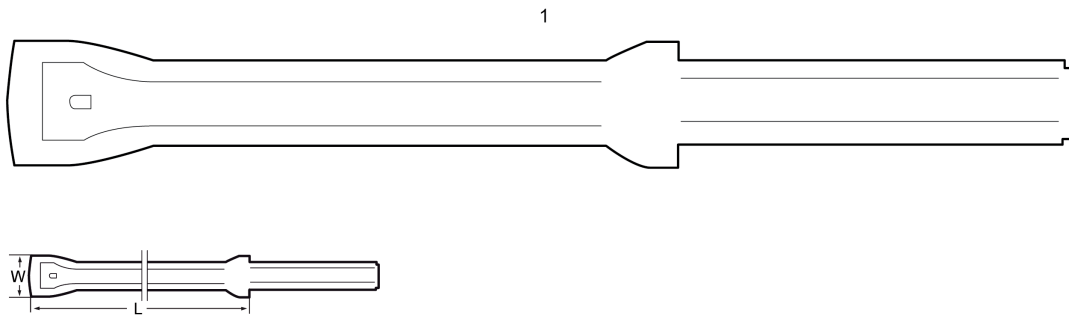
(L)OCAL REMARKS

A | Female

B | Male

C | Pressure side

**Working tools** Hexagon 7/8 x 4 1/4 in.



Item	Part No.	Name	Qty	L	SN INFO
1	714-0834,05-02	Drill steel	1	A	
1	714-1633,05-02	Drill steel	1	B	
1	714-2432,05-02	Drill steel	1	C	
1	714-3231,05-02	Drill steel	1	D	
1	714-4030,05-02	Drill steel	1	E	
1	714-4829,05-02	Drill steel	1	F	

Comments for Page: Hexagon 7/8 x 4 1/4 in.

(L)OCAL REMARKS

A | W= 1 11/32 in, L=31½ in, Wt=6.6 lb

B | W= 1 5/16 in, L=63 in, Wt=11.4lb

C | W= 1¼ in, L=94½in, Wt=17.6lb

D | W= 1 7/32 in, L=126in, Wt=22.5lb

E | W= 1 3/16 in, L=157½ in, Wt=28.4 lb

F | W= 1 9/64 in, L=189 in, Wt=33.3lb







**Chicago  
Pneumatic**