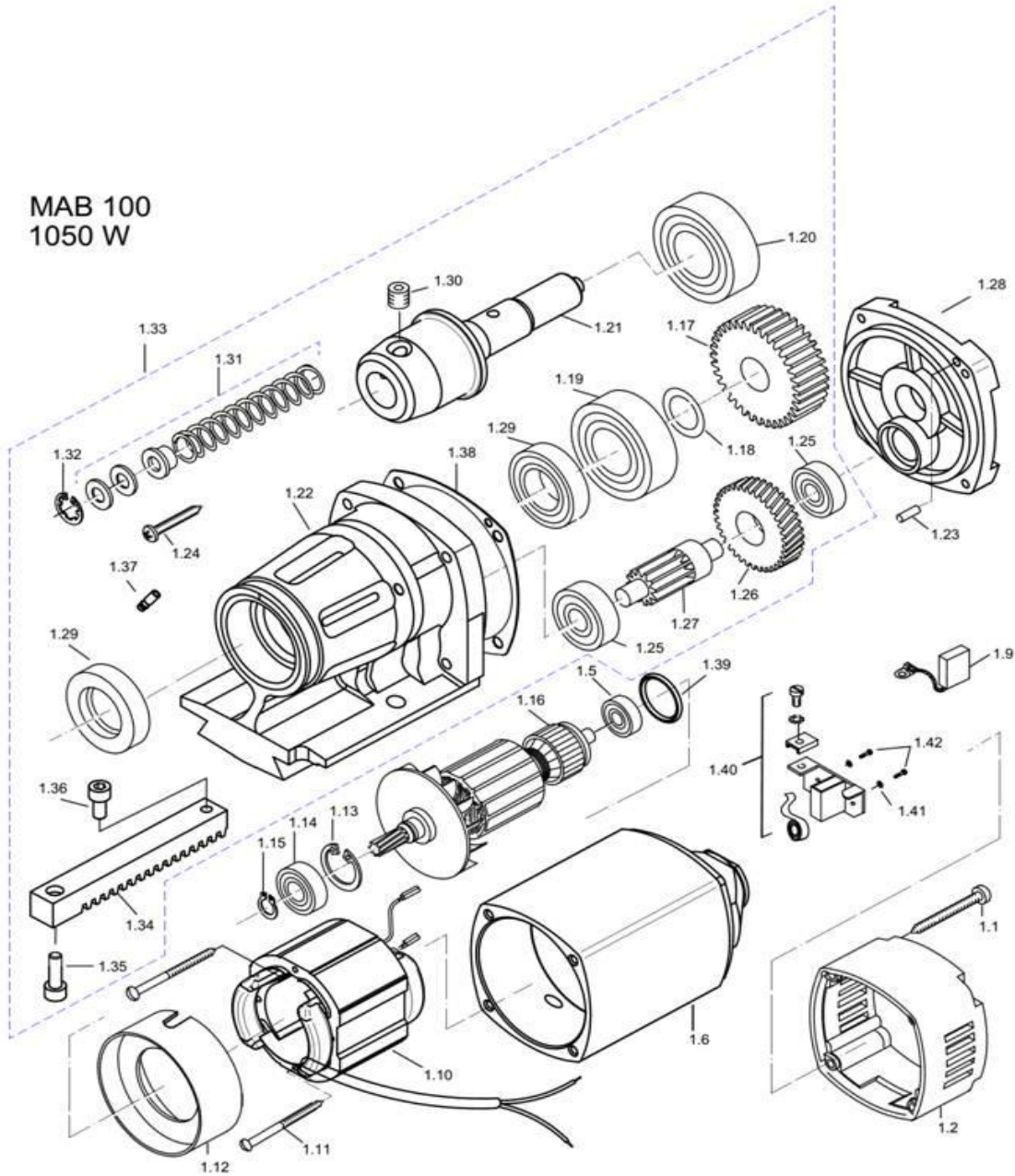
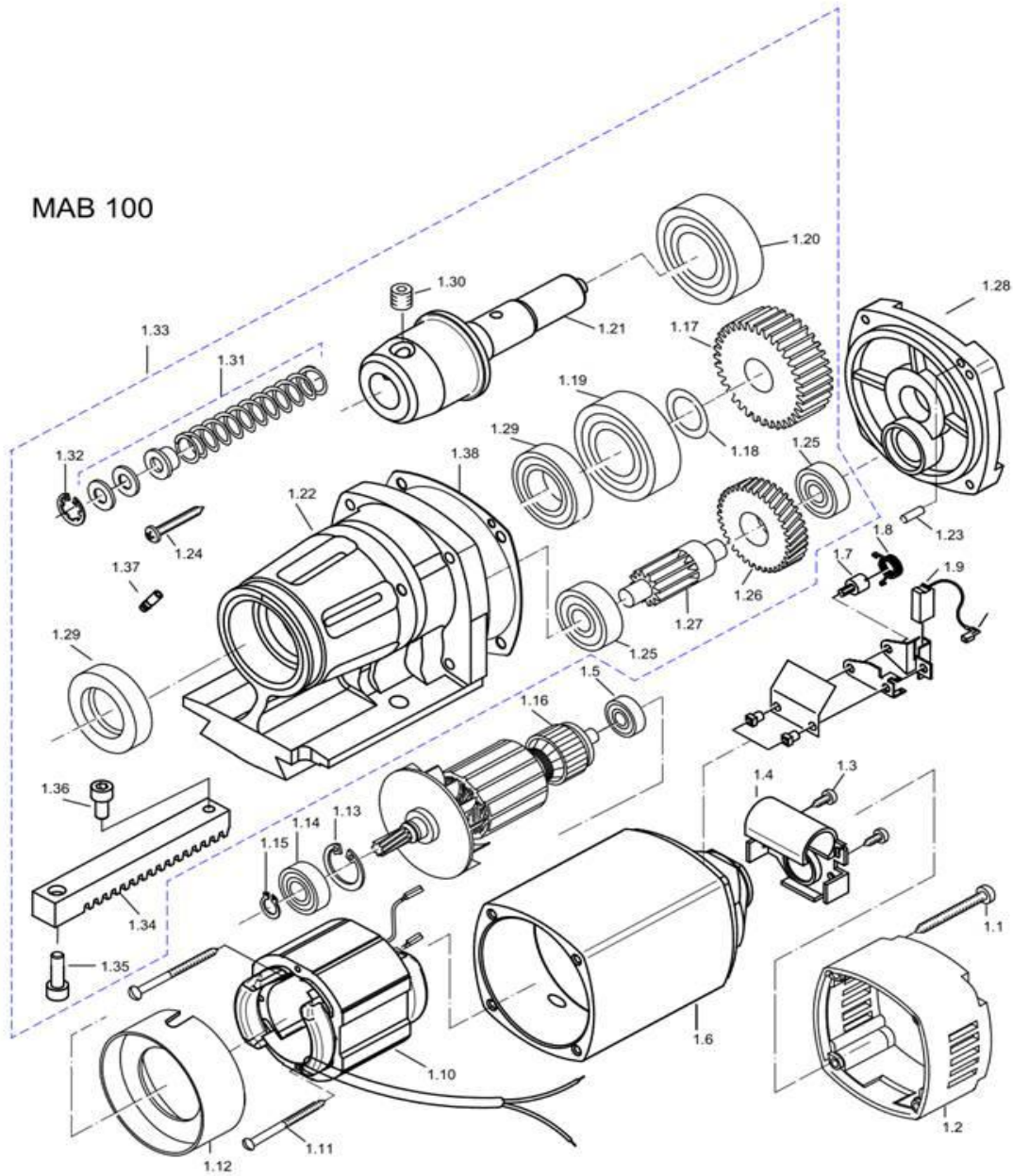


MAB 100  
1050 W

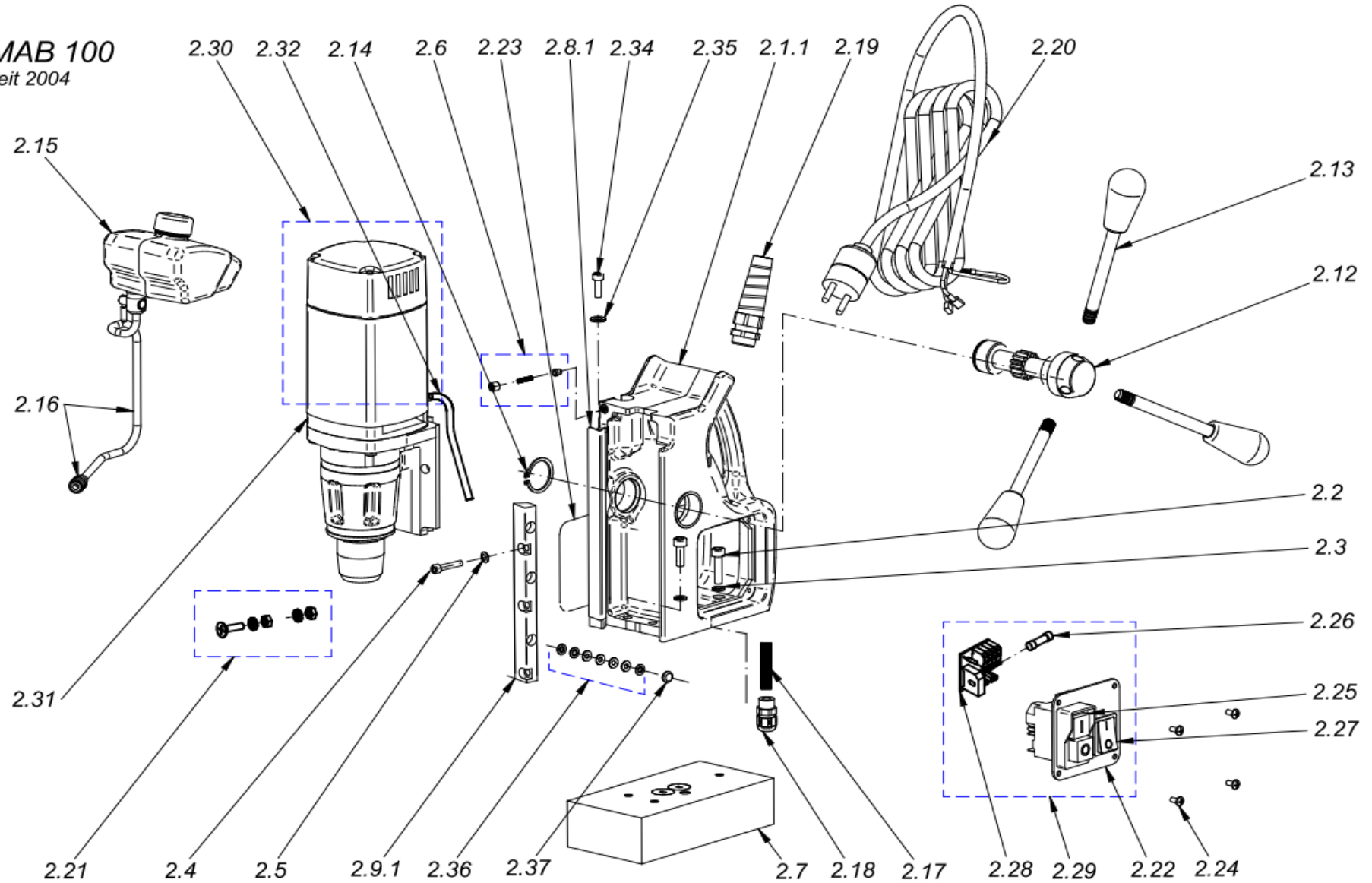


MAB 100

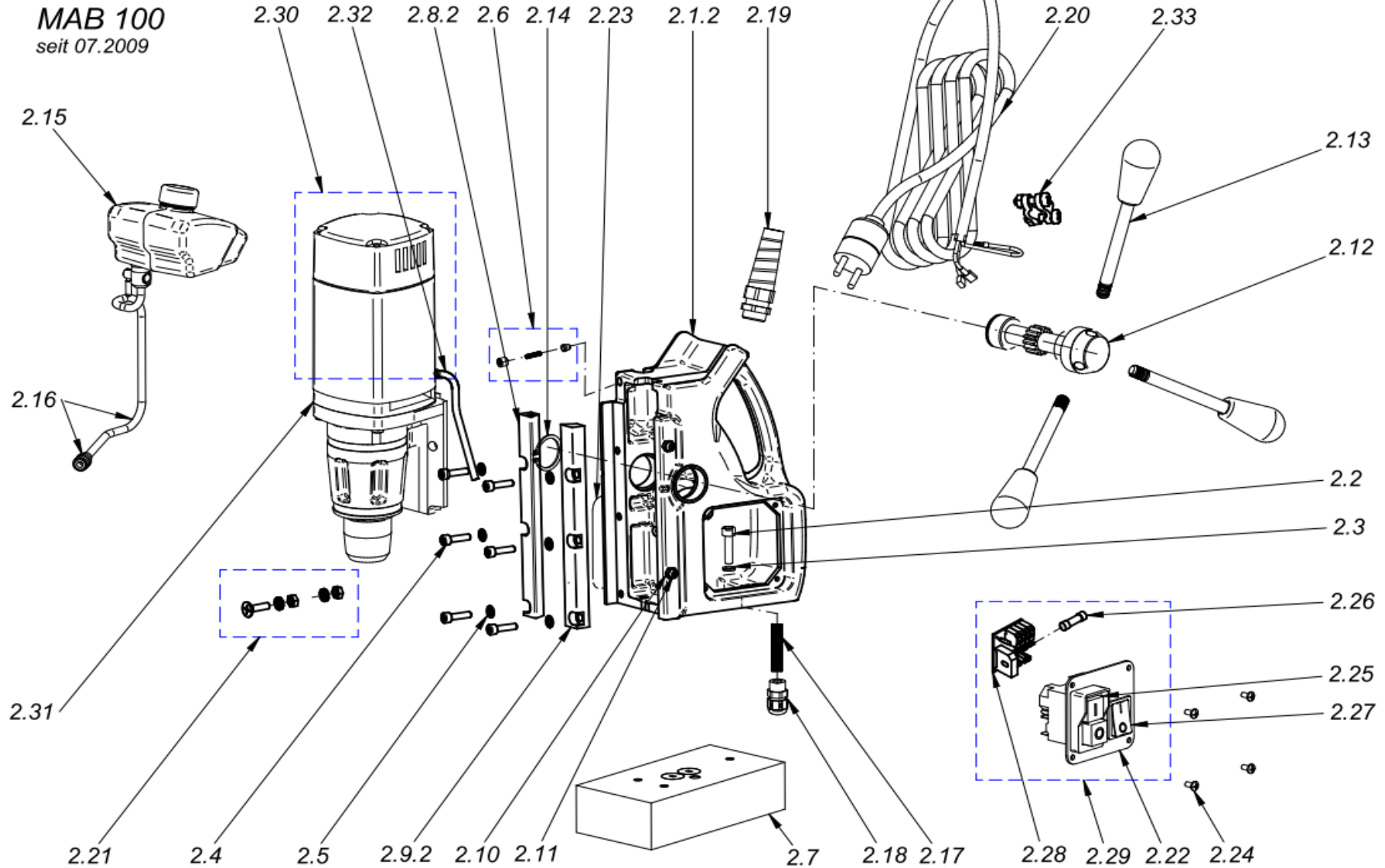


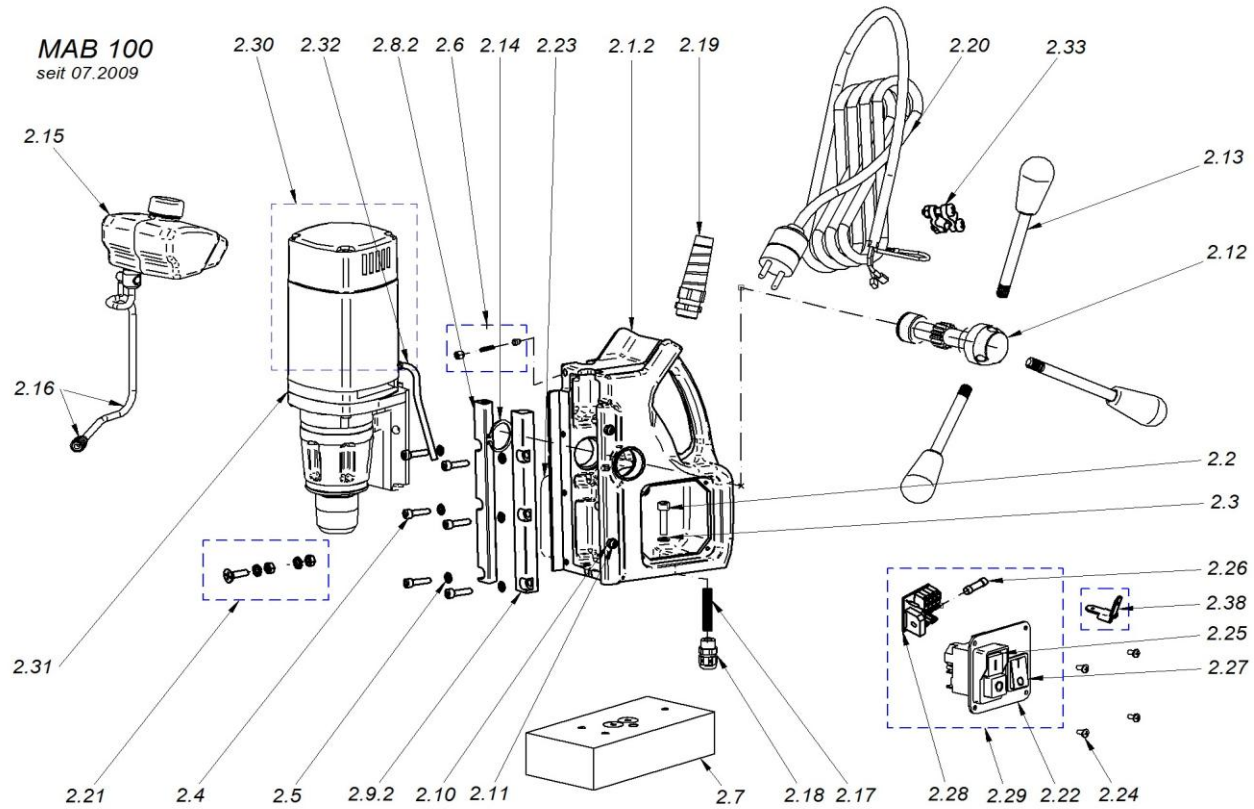
Pos. No.	Article no.	Description	pc.
1.1.1	5010231	Screw HC 4,8x50 DIN 7981 until July 2014	4
1.1.2	5010581	Screw HC 4,8x50 DIN 7981 since July 2014	4
1.2.1	5012421	Cap for motor housing until July 2014	1
1.2.2	5010691	Cap for motor housing since July 2014	1
1.3	5010021	Screw HC 4,2x13 DIN 7981 only for version until July 2014	2
1.4	5010131	Holder for capacitor only for version until July 2014	1
1.5	5010061	Ball bearing 608 2Z	1
1.6.1	5012451	Motor housing complete with carbon brush holder until July 2014	1
1.6.2	5012452	Motor housing complete since July 2014	1
1.7	5010001	Screw M4x8 D8,5 only for version until July 2014	2
1.8	5010011	Spring only for version until July 2014	2
1.9.1	5010141	Carbon brush 6,3x10x20 until July 2014	2
1.9.2	5010571	Carbon brush 6,3x10x18 since July 2014	2
1.10.1.1	5010162	Field coil 110V until July 2014	1
1.10.2.1	5010163	Field coil 110V since July 2014	1
1.10.1.2	5010152	Field coil 230V until July 2014	1
1.10.2.2	5010153	Field coil 230V since July 2014	1
1.11	5010031	Screw HC 3,9x60 DIN 7981	1
1.12	5010251	Air conducting ring	1
1.13	5010271	Circlip ring 28/1,2 DIN 472	1
1,14,1	5012501	Ball bearing 6001 2RS until October 2010	1
1.14.2	5010081	Bal bearing 6001 2Z since October 2010	1
1.15	5010261	Circlip ring 10/1 DIN 471	1
1.16.1.1	5010181	Armature 110V until July 2014	1
1.16.1.2	5015211	Armature 110V since July 2014	1
1.16.2.1	5010171	Armature 230V until July 2014	1
1.16.2.2	5015201	Armature 230V since July 2014	1
1.17	5010091	Spindle gear 40 teeth	1
1.18	5010051	Washer 17x24x0,2 DIN 988	1
1.19	5010241	Ball bearing 6003 2RS	1
1.20	5012281	Ball bearing 6004 2RS	1
1.21	5012431	Spindle	1
1.22	5012441	Gearbox housing	1
1.23	5010291	Pin M4x12 DIN 1474	1
1.24	5010221	Screw HC 4,8x38 DIN 7981	4
1.25	5010071	Ball bearing 608	2
1.26	5010101	Intermedium gear wheel 34 teeth	1
1.27	5010121	Pinion shaft 8 teeth	1
1.28	5010281	Gearbox bearing plate	1
1.29	5012461	Shaft seal 19x32x7	2
1.30	6010181	Set screw M8x8 DIN 913	1
1.31	6010801	Spring with washer	1
1.32	6010161	Circlip ring JK19/1	1
1.33.1	5012481	Gearbox housing complete until July 2014	1
1.33.2	5012482	Gearbox housing complete since July 2014	1
1.34	6010791	Rack 16 teeth	1
1.35	6010091	Hexagon socket M6x20 DIN 912	1
1.36	6012691	Hexagon socket M6x12 DIN 912	1
1.37	ZSS 200N	Brass nipple for quick change coupling	1
1.38	5014641	Gear box seal	1
1.39	5010591	O-Ring 22x2,5 since July 2014	1
1.40	5010561	Carbon brush holder since July 2014	2
1.41	5013981	Corrugated spring washer B4 DIN 137 since July 2014	4
1.42	5013991	Self tapping screw ZM4x12 since July 2014	4

MAB 100  
seit 2004









Pos. No.	Article no.	Description	pc
2.1.1	6010811	Housing for one glued, one screwed guide rail until June 2009	1
2.1.2	6010813	Housing for guide rails, both sides screwed since June 2009	1
2.2	6010091	Hexagon socket M6x20 DIN 912	3
2.3	6010021	Spring washer 6,1 DIN 7980	3
2.4	6010841	Hexagon socket M5x20 DIN 912	6
2.5	6011501	Washer 5,3 DIN 433	6
2.6	4000121	Pressure piece	1
2.7	6010861	Magnet (electric)	1
2.8.1	6010871	Guide rail left, glued until July 2009	1
2.8.2	6010872	Guide rail left, screwed, 3 holes since July 2009	1
2.9.1	6010881	Adjustment rail right, screwed, 3 holes until July 2009	1
2.9.2	6010882	Adjustment rail right, screwed, 3 holes since July 2009	1
2.10	6010031	Nut M5 DIN 934 only for version since July 2009	2
2.11	6015431	Adjusting screw M5x16 DIN 913 only for version since July 2009	2
2.12	6010911	Shaft for gear wheel	1
2.13	6010921	Handle rod with knob	3
2.14	6010931	Circlip ring for gear wheel	1
2.15	6010941	Coolant reservoir with tap	1
2.16	6010951	Coolant tube with quick coupling	1
2.17	7010751	Cable protecting	1
2.18	7010761	Cable gland PG 7	1
2.19	7010031	Mains cable gland PG 11	1
2.20.1.1	7010052	Connection cable 110V with GB-plug	1
2.20.2.1	7010242	Connection cable 110V with US-plug	1
2.20.1.2	7010042	Connection cable 230V complete with plug	1
2.21	7010061	Earthing complete	1
2.22	7010781	Switch plate front side	1
2.23	7011821	Cover for housing, back side	1
2.24	7010081	Screw M4x8 DIN 966	4
2.25.1	7010931	Actuator 110V	1
2.25.2	7010801	Actuator 230V	1
2.26	7010131	Fuse 2A, 5x20	1
2.27	7010142	Magnet switch 4 connection terminals	1
2.28.1	7010811	Control board 110V + 230V 4 connection terminals until December 2010	1
2.28.2	7010812	Control board 110V + 230V 6 connection terminals since December 2010	1
2.29.1	7010941	Switch plate complete with PC board 110V	1
2.29.2	7010821	Switch plate complete with PC board 230V	1
2.30.1	7010841	Upper motor part (without gear) 110V	1
2.30.2	7010831	Upper motor part (without gear) 230V	1
2.31.1	5001101	Motor complete 110V	1
2.31.2	5001001	Motor complete 230V	1
2.32	7011132	Motor cable 400mm	1
2.33	4010291	Cord grip	1
2.34	6010821	Hexagon socket M5x16 DIN 912 only for version until July 2009	1
2.35	6050151	Washer 6,4x11x1,6 DIN 433 only for version until July 2009	1
2.36	6010891	Cup spring for adjustment rail (7 pcs.) only for version until July 2009	1
2.37	6010901	Washer for adjustment rail only for version until July 2009	1
2.38	7011571	Plug distributor for 110V version	1

