

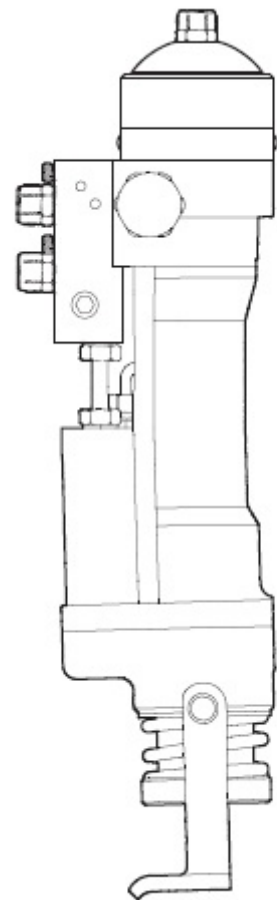


Chicago  
Pneumatic

## Spare parts list

Rock drills

RDR48 R



## General information

This spare parts list applies to the following:

Part number	Description
1808036001	RDR 48R

Use only authorized parts. Any damage or malfunction caused by the use of unauthorized parts is not covered by Warranty or Product Liability. Any unauthorized use or copying of the contents or any part thereof is prohibited. This applies in particular to trademarks, model denominations, part numbers, and drawings.

### Instructions for use

This spare parts list contains no safety regulations and is merely intended to assist in the ordering of spare parts.

For information about operating, servicing, or repairing, the relevant Safety and operating instructions must be consulted at all costs.

Please observe the safety instructions listed in the relevant Safety and operating instructions!

Contents

**Spare parts list**

RDR 48 R ..... 1

**Kits**

Seal for motor ..... 7

Seal kit ..... 9

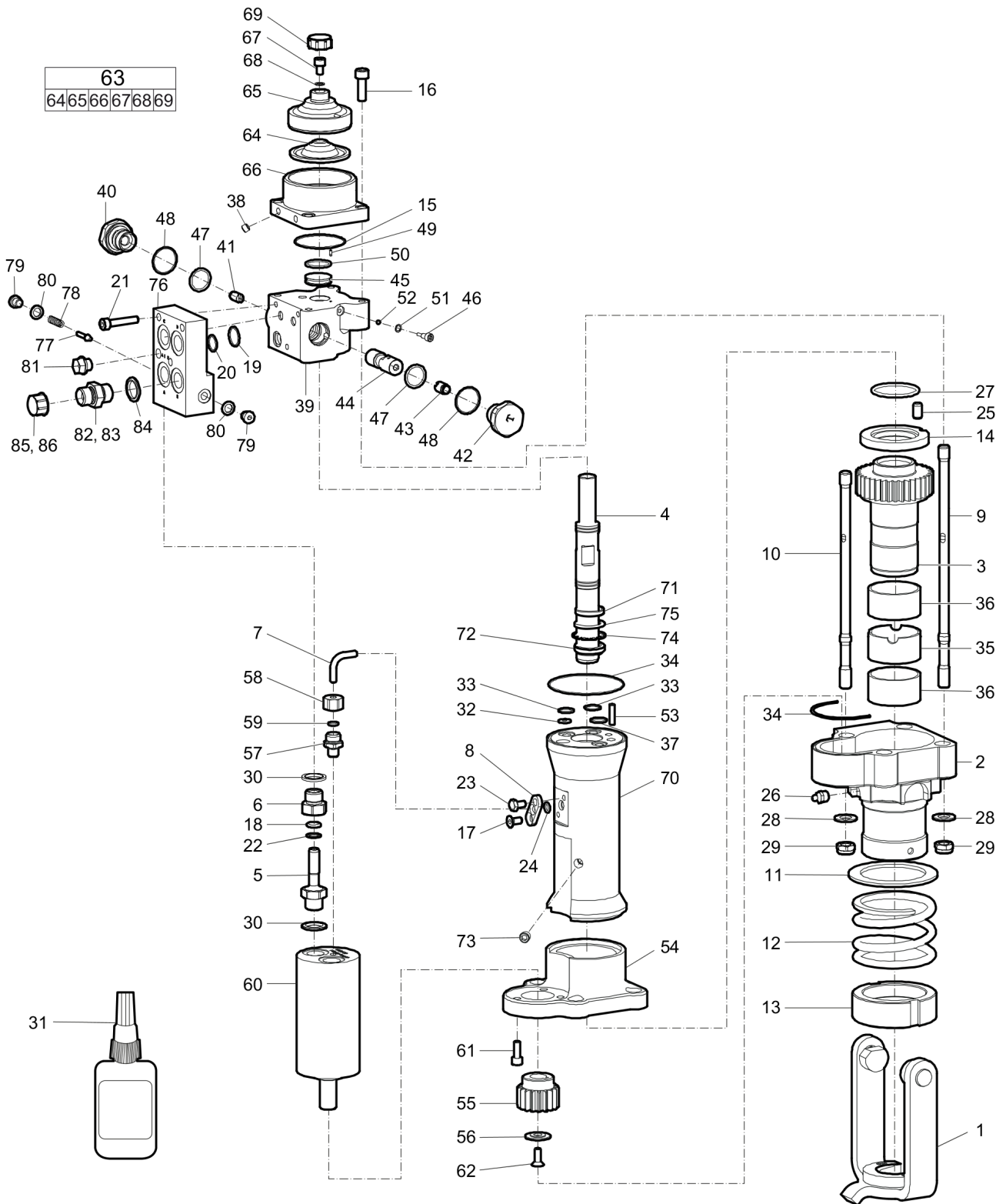
**Accessories**

Hoses and couplings ..... 11

**Working tools**

Hexagon 7/8 x 4 1/4 in. .... 13

Spare parts list RDR 48 R



Refer to Parts Online for the most up to date information. The printed information might be outdated.

Wed Nov 25 06:44:08 MST 2015

Item	Part No.	Name	Qty	L
1	3371817054	Chisel retainer complete	1	
2	3371817177	Gear flange	1	
3	3371817150	Bushing	1	
4	3371817104	Striking piston	1	
5	3371817174	Flange socket	2	
6	3371817175	Pipe holder	2	
7	3371817107	Drain pipe	1	
8	3371817108	Tightening plate	1	
9	3371817109	Stay bolt long	2	
10	3371817110	Stay bolt short	2	
11	3371817145	Washer	1	A
12	3371817146	Spring	1	B
13	3371817147	Coupling nut	1	C
14	3371817141	Thrust washer	1	
15	3371817700	O-ring, 60 x 2 mm (2.36 x 0.08 in.)	1	
16	3371817720	Screw, M10 x 30 mm	4	
17	3371817727	Screw, M6 x 12 mm	1	
18	3371817755	O-ring, 9.13 x 2.62 mm (0.36 x 0.1 in.)	2	
19	3371817701	O-ring, 20 x 2 mm (0.79 x 0.08 in.)	2	
20	3371817702	O-Ring, 16 x 2 mm (0.63 x 0.08 in.)	1	
21	3372005028	Screw	3	
22	3371817756	Back-up ring, 10 x 14 mm (0.39 x 0.55 in.)	2	
23	3371817724	Screw, M6 x 10 mm	1	
24	3371817757	O-ring, $\varnothing$ 6 x 2mm( $\varnothing$ 0.24 x 0.08 in.)	1	
25	3371817739	Cylinder pin, 8 x 14 mm , 0.31 x 0.55 in.	1	
26	3371816708	Grease nipple, 1/8 in. RG	1	
27	3371817704	O-Ring, 40 x 3 mm (1.57 x 0.12 in.)	1	
28	3371817718	Washer, 14 mm , 0.55 in.	4	
29	3371810707	Nut, MF 14 x 1.5 mm	4	
30	3377016375	Seal ring - Bounded seal - Oil outlet 3/8 USS	4	
31	3371807737	Loctite®648	1	D
32	3371817768	Washer	1	
33	3371814750	O-ring, $\varnothing$ 0.47 x 0.06 in. ( $\varnothing$ 12 x 1.5 mm)	2	
34	3371814751	O-ring, $\varnothing$ 2.72 x 0.06 in. ( $\varnothing$ 69 x 1.5 mm)	2	
35	3371817179	Ina ring IR, $\varnothing$ 45/50 x 25 mm , $\varnothing$ 1.77/1.96 x 0.98 in.	1	
36	3371817763	Ina ring IR, $\varnothing$ 45/50 x 25 mm , $\varnothing$ 1.77/1.96 x 0.98 in.	2	
37	3371814749	O-ring, $\varnothing$ 0.51 x 0.06 in. ( $\varnothing$ 13 x 1.5 mm)	1	

Refer to Parts Online for the most up to date information. The printed information might be outdated.

Wed Nov 25 06:44:08 MST 2015

This page intentionally left blank

Item	Part No.	Name	Qty	L
38	3371814737	Plug	4	
39	3371817115	Valve housing	1	
40	3371814114	Guide socket P	1	
41	3371814113	Auxiliary spool P	1	
42	3371814116	Guide socket T	1	
43	3371814115	Auxiliary spool T	1	
44	3371814112	Spool	1	
45	3371817154	Sealing washer	1	
46	3371817155	Screw	1	F
47	3371814703	O-ring, Ø 0.95 x 0.12 in. (Ø 24.2 x 3 mm)	2	
48	3371814710	O-ring, Ø 1.30 x 0.08 in. (Ø 33 x 2 mm)	2	
49	3371814736	Blind nut, Ø3 mm , Ø0.12 in.	1	
50	3371817705	O-Ring, 21 x 2 mm (0.83 x 0.08 in.)	1	
51	3371817712	Seal ring, 7 / 10 x 1 mm (0.28 / 0.39 x 0.04 in.)	1	
52	3371817748	Steel ball, Ø4.5 mm , Ø0.18 in.	1	
53	3371817741	Roll pin, Ø5 x 20 mm , 0.20 x 0.79 in.	1	
54	3371817133	Motor flange	1	
55	3371817135	Gear wheel	1	
56	3371817136	Back-up washer	1	
57	3371817148	Packing gland	1	
58	3371817149	Coupling nut	1	
59	3371817757	O-ring, ø6 x 2mm(ø0.24 x 0.08 in.)	1	
60	3371817746	Motor	1	G
61	3371817726	Screw, M8 x 15 mm	3	
62	3371817764	Screw	1	
63	3371717002	Accumulator, complete	1	
64	--	Diaphragm	1	
65	3371814102	Accumulator cover	1	
66	3371817111	Accumulator body	1	
67	3371813103	Charging screw	1	
68	3371814709	Seal ring, Ø 0.34 X 0.51 x 0.04 in. (Ø 8.7 X 13 x 1 mm)	1	
69	3371813710	Protective cap, M24 x 1.5 mm	1	
70	3371817102	Cylinder	1	
71	3371814172	Seal ring, 28 / 36 x 5.7 mm (1.10 / 1.42 x 0.22 in.)	1	
72	3371814707	Seal, 28 / 38 x 7 / 10 mm (1.10 / 1.5 x 0.28 / 0.39 in.)	1	
73	3371814733	Fitting	1	H
74	3371814754	Circlip	1	

Refer to Parts Online for the most up to date information. The printed information might be outdated.

Wed Nov 25 06:44:08 MST 2015

This page intentionally left blank



Item	Part No.	Name	Qty	L
75	3371814169	Back-up washer, 28.7 x 38 x 2 mm (1.13 x 1.5 0.08 in.)	1	
76	3371817020	Connecting block	1	
77	3371817130	Torque limiter	2	
78	3371817173	Spring	2	I
79	3371817740	Plug	2	J
80	3377016125	Seal ring, 3.17 mm (1/8 in.)	2	
81	3371817742	Plastic plug, 6.35 mm (1/4 in.)	1	
82	3371805711	Nipple, 1/2 in. BSP	4	
83	3371815135	37-40 lpm.9.8-10.6 gpm. - None	4	
84	3371805714	U-seal ring 1/2	4	
85	3371813709	Protective cap, 1/2 in. BSP	4	
86	3371813721	Protective cap, for 3/4 in. JIC	4	

Comments for Page: RDR 48 R

LOCTITE is a registered trademark of Henkel Corporation. 245 is a trademark of Henkel Corporation.

(L)OCAL REMARKS

A | for spring

B | for chisel retainer

C | for spring

D | 50 ml

1.70 oz

F | for check valve

G | OMM 32

H | 02 KRG

I | for the torque limiter

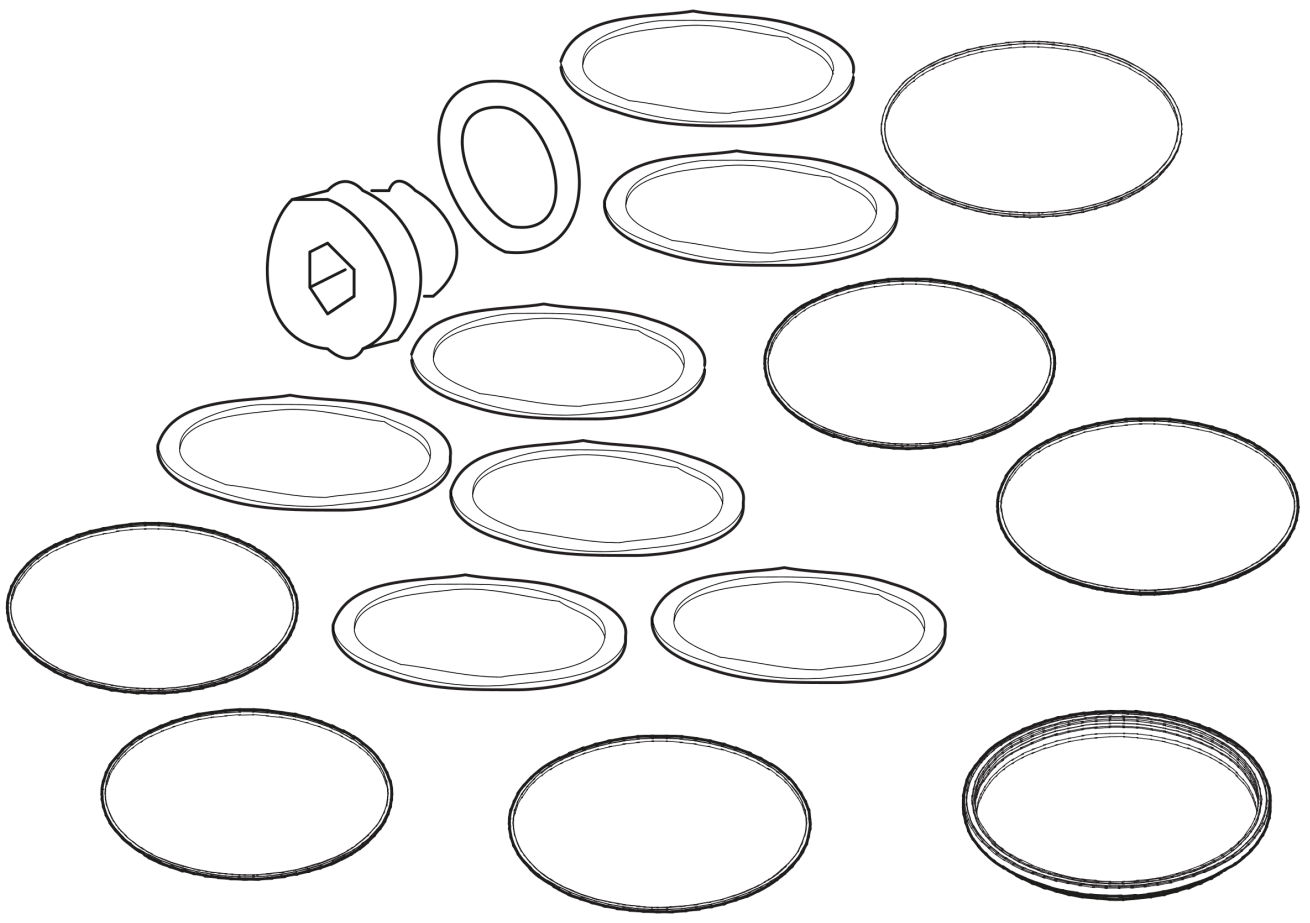
J | 02w/seal

**Kits** Seal for motor

NO EXPLODED VIEW  
AVAILABLE  
FOR THIS BOM

Item	Part No.	Name	Qty	L
1	3371817750	Motor seal kit	1	
-	3378512072	Wiper	1	
-	3378512073	Seal	1	
-	3378512086	O-ring	4	

**Kits** Seal kit



Item	Part No.	Name	Qty	L
1	3371817036	Seal kit	1	
-	3371817700	O-ring, 60 x 2 mm (2.36 x 0.08 in.)	1	
-	3371817755	O-ring, 9.13 x 2.62 mm (0.36 x 0.1 in.)	3	
-	3371817701	O-ring, 20 x 2 mm (0.79 x 0.08 in.)	2	
-	3371817702	O-Ring, 16 x 2 mm (0.63 x 0.08 in.)	1	
-	3371817756	Back-up ring, 10 x 14 mm (0.39 x 0.55 in.)	3	
-	3371817757	O-ring, $\varnothing$ 6 x 2mm( $\varnothing$ 0.24 x 0.08 in.)	2	
-	3371817704	O-Ring, 40 x 3 mm (1.57 x 0.12 in.)	1	
-	3377016375	Seal ring - Bounded seal - Oil outlet 3/8 USS	4	
-	3371814750	O-ring, $\varnothing$ 0.47 x 0.06 in. ( $\varnothing$ 12 x 1.5 mm)	2	
-	3371814751	O-ring, $\varnothing$ 2.72 x 0.06 in. ( $\varnothing$ 69 x 1.5 mm)	1	
-	3377016125	Seal ring, 3.17 mm (1/8 in.)	3	
-	3371817742	Plastic plug, 6.35 mm (1/4 in.)	1	
-	3371805714	U-seal ring 1/2	4	
-	3371814172	Seal ring, 28 / 36 x 5.7 mm (1.10 / 1.42 x 0.22 in.)	1	
-	3371814749	O-ring, $\varnothing$ 0.51 x 0.06 in. ( $\varnothing$ 13 x 1.5 mm)	1	
-	3371814703	O-ring, $\varnothing$ 0.95 x 0.12 in. ( $\varnothing$ 24.2 x 3 mm)	2	
-	3371814710	O-ring, $\varnothing$ 1.30 x 0.08 in. ( $\varnothing$ 33 x 2 mm)	2	
-	3371817705	O-Ring, 21 x 2 mm (0.83 x 0.08 in.)	1	
-	3371817712	Seal ring, 7 / 10 x 1 mm (0.28 / 0.39 x 0.04 in.)	1	
-	3371814709	Seal ring, $\varnothing$ 0.34 X 0.51 x 0.04 in. ( $\varnothing$ 8.7 X 13 x 1 mm)	1	
-	3371814707	Seal, 28 / 38 x 7 / 10 mm (1.10 / 1.5 x 0.28 / 0.39 in.)	1	
-	3371814169	Back-up washer, 28.7 x 38 x 2 mm (1.13 x 1.5 0.08 in.)	1	
-	3371814754	Circlip	1	
-	3371813710	Protective cap, M24 x 1.5 mm	1	

**Accessories** Hoses and couplings

NO EXPLODED VIEW  
AVAILABLE  
FOR THIS BOM

Item	Part No.	Name	Qty	L
1	3371801083	Connection hydraulic hose, complete	1	
-	3371803050	Hose, Ø 1/2 in. L = 16 in., Ø 12.5 mm L = 0.4 m	2	
-	3371805714	U-seal ring 1/2	2	
-	3371805133	Quick-release coupling, Female 1/2 in. BSP	1	
-	3371805134	Quick-release coupling, Male 1/2 in. BSP	1	
-	3371805733	Protective cap	1	A
-	3371805732	Protective cap	1	B
2	3371801087	Twin hose, complete, Ø 1/2 in. L = 23 ft. , Ø 12.5 mm L = 7 m	1	
-	3371803052	Twin hose, Ø 1/2 in. L = 23 ft., Ø 12.5 mm L = 7 m	1	
3	3371801190	Connection hose, complete, Ø 1/2 in. L = 62 in., Ø 12.5 mm L = 1.6 m	1	
-	3371803064	Hose, Ø 1/2 in. L = 62 in., Ø 12.5 mm L = 1.6 m	2	
-	3371805714	U-seal ring 1/2	2	
-	3371805133	Quick-release coupling, Female 1/2 in. BSP	1	
-	3371805134	Quick-release coupling, Male 1/2 in. BSP	1	
-	3371805733	Protective cap	1	
-	3371805732	Protective cap	1	
-	3371802115	Label P	1	C
4	3371801094	Flushing hose, Ø ½ in. L=20 in., Ø12,5mm L=500mm	1	
5	-	Male coupling NIP 15 H13	1	
6	8202130418	Female coupling QIC15 H13	1	

Comments for Page: Hoses and couplings

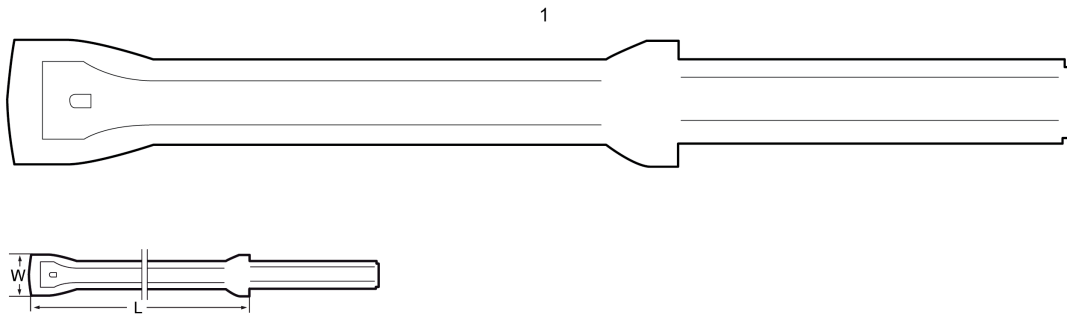
(L)OCAL REMARKS

A | Female

B | Male

C | Pressure side

**Working tools** Hexagon 7/8 x 4 1/4 in.





Item	Part No.	Name	Qty	L
1	714-0834,05-02	Drill steel	1	A
1	714-1633,05-02	Drill steel	1	B
1	714-2432,05-02	Drill steel	1	C
1	714-3231,05-02	Drill steel	1	D
1	714-4030,05-02	Drill steel	1	E
1	714-4829,05-02	Drill steel	1	F

Comments for Page: Hexagon 7/8 x 4 1/4 in.

(L)OCAL REMARKS

A | W= 1 11/32 in, L=31½ in, Wt=6.6 lb

B | W= 1 5/16 in, L=63 in, Wt=11.4lb

C | W= 1¼ in, L=94½in, Wt=17.6lb

D | W= 1 7/32 in, L=126in, Wt=22.5lb

E | W= 1 3/16 in, L=157½ in, Wt=28.4 lb

F | W= 1 9/64 in, L=189 in, Wt=33.3lb







**Chicago  
Pneumatic**