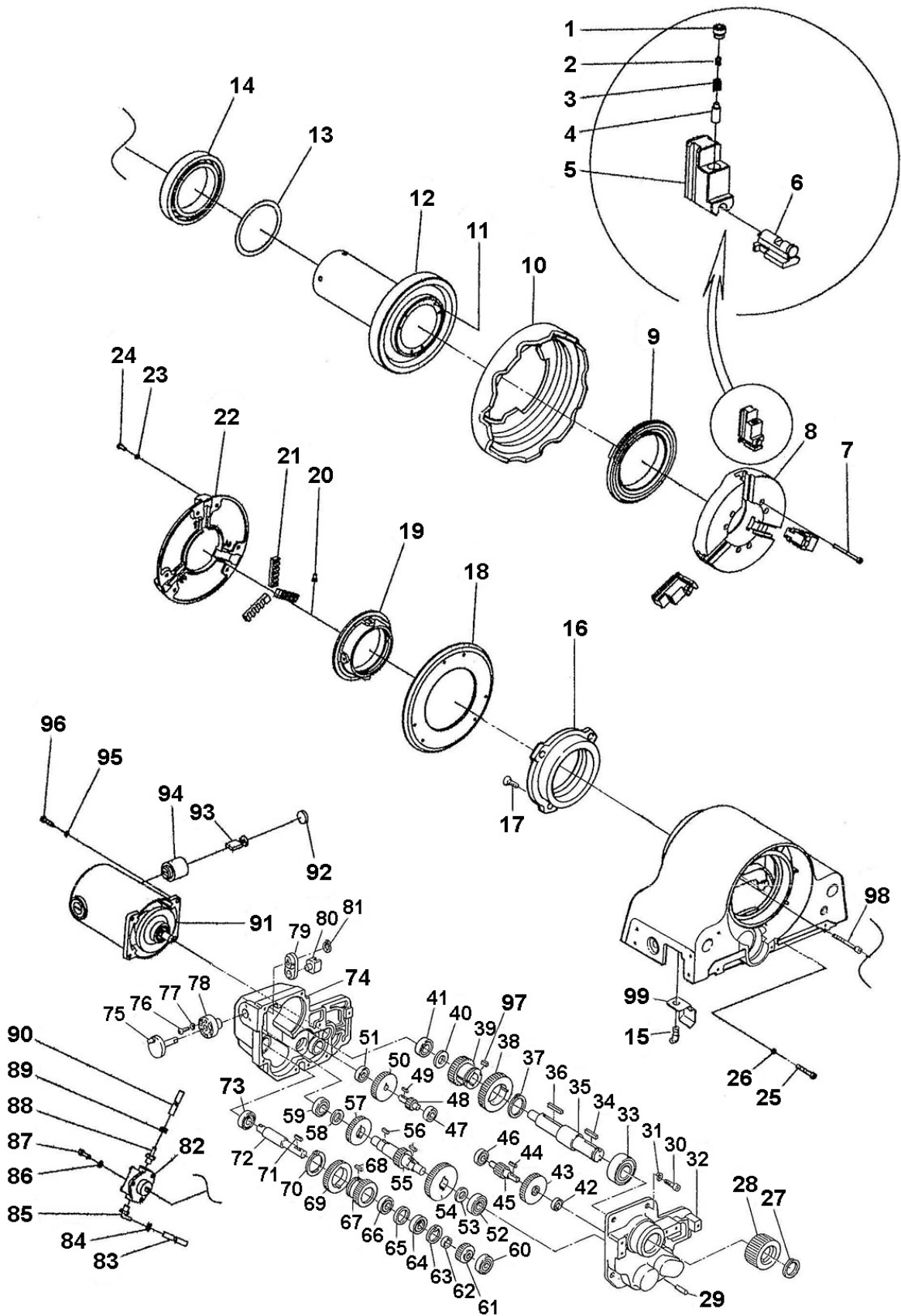


Item no.	Description	Article no.	Quantity
1	Caution sticker RO	87080	1
2	Caution plate RO	87081	1
3	Spindle case	87082	1
4	Machine plate base	87083	1
5	Machine plate RO 110V	87085	1
5	Machine plate RO 230V	87084	1
6	Flat head screw M6x10L	81633	4
7	Hose protection pipe	81678	1
8	Gear cover	87086	1
9	Spring washer CM6	81621	4
10	Pan head screw M6x12L	81648	4
11	Outer ring spacer RO	87087	1
12	Spring washer CM6	81621	1
13	Hex bolt M6x18L	83501	1
14	Hex bolt M8x45L	85979	2
15	Spring washer CM8	81625	2
16	Frame	87088	1
17	Guide bar R	87089	1
18	Pan head screw M6x12L	81648	1
19	Filter	84188	1
20	Guide bar F	87090	1
21	Plug 1	81685	1
22	Frame under cover	87091	1
23	Spring washer CM6	81621	4
24	Hex bolt M6x10L	81663	4
25	Hex bolt M8x50L	81665	2
26	Spring washer CM8	81625	4
27	Hex bolt M8x25L	83738	2
28	Suction pipe	81666	1
29	Connector GES8xPT1/4	81658	1
30	Hose clamp Ø12	81657	1
31	Hex bolt M6x20L	83782	4
32	Spring washer CM6	81621	4
33	Motor cover	87092	1
34	Pan head screw M6x8L	81669	1
35	Toothed lock washer M6	81668	1
36	Power cord CEE G4 meter	FF51089	2
37	Cord connector BS-PF1/2	87094	1
38	Hex bolt M8x35L	85934	1
39	Spring washer CM8	81625	1
40	Shift lever	87095	1
41	Hex set bolt M6x12L	85940	1
42	Hex set bolt M6x6L	85932	1
43	Shift lever spring	86268	1
44	Steel ball 3/8	84329	1
45	Pan head screw M5x16L precort	87031	3
46	Spring washer M5	84094	3
47	Shift metal	86267	1
48	Shift lever joint	87097	1
49	Switch plate RO	87098	1
50	Flat head screw M6x10L	81633	4
51	Switch plate cover	87099	1
52	Foot switch	56335	1
53	Coil capacitor compl. 230V	87102	1
53	Coil capacitor compl. 230V since august 2010	87108	1
53	Coil capacitor compl. 110V	87103	1
54	ROTHENBERGER Logo sticker	87104	1
55	Warning sticker RO	87105	1
56	Chip pan	81690	1
57	Strainer	84636	1
58	Oil tank lid	87106	1
59	Threaded pin (4 pieces)	150000983	1

IMPORTANT! To assure safety and reliability, repairs, maintenance and adjustment must be preformed by ROTHENBERGER Kelkheim or authorized Service-Centers. Always use Original-Service-Parts. Order your accessories and spare parts from your specialist retailer or using our Service After Sales hotline



hammer chuck, scroll and gears

dated: 01/17

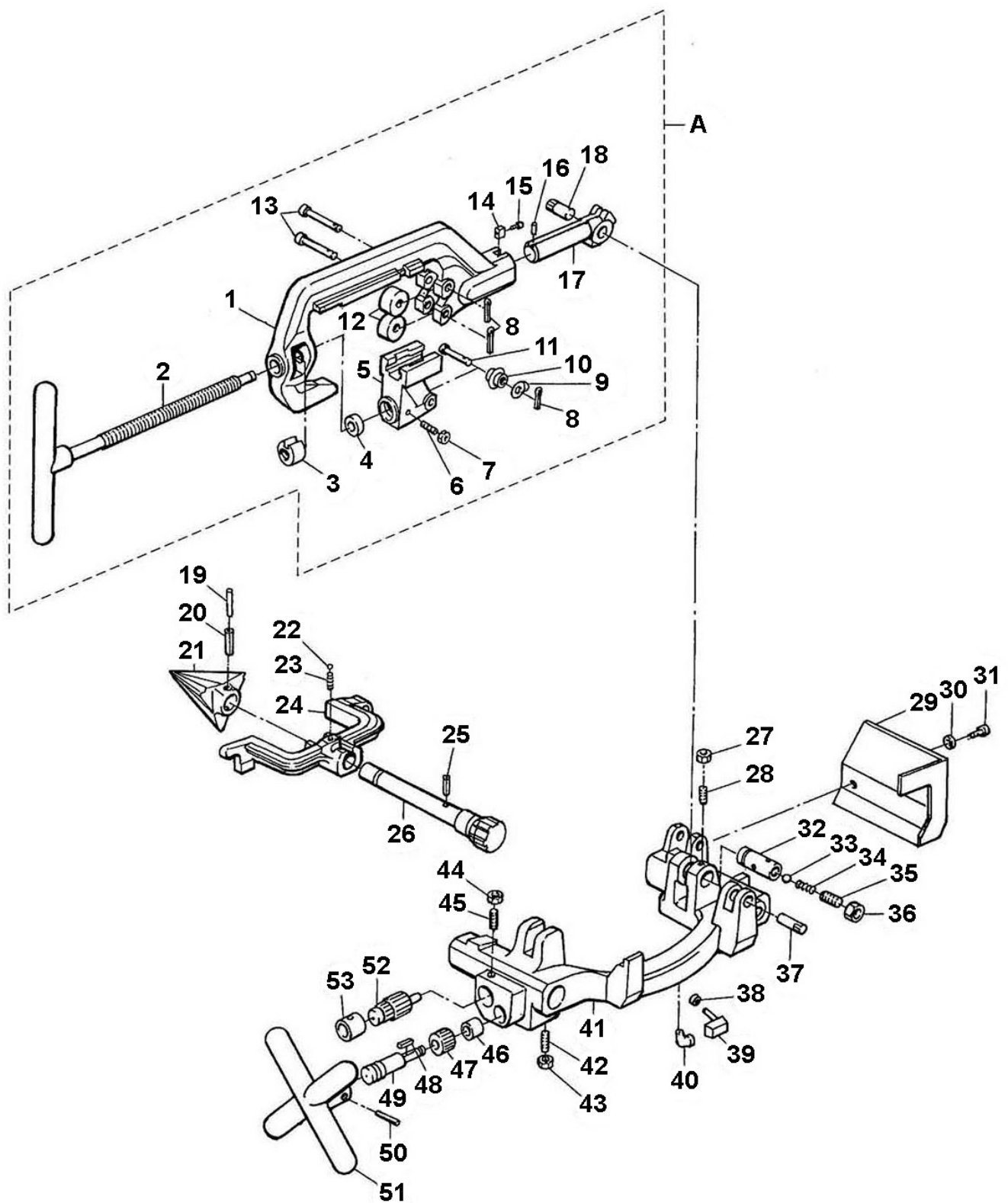
Item no.	Description	Article no.	Quantity
1	Hammer chuck bolt	81693	3
2	Hammer chuck spring B	81694	3
3	Hammer chuck spring A	81695	3
4	Hammer chuck pin	81696	3
5	Hammer chuck jaw assembly	87023	1
6	Jaw inserts set (3 pcs/set)	81720	set
7	Hex bolt M8x75L	85942	6
8	Hammer chuck body RO	87024	1
9	Hammer chuck scroll	84692	1
10	Hammer chuck outer ring	87025	1
11	Pre-load spring	86265	6
12	Spindle gear compl.	87026	1
13	Thrust plate	87027	1
14	Ball bearing 6028	87028	1
15	Grease nipple JIS 67.5 PF1/8	87029	1
16	Rear metal	87030	1
17	Pan head screw M5x16L precort	87031	4
18	Scroll cap	87032	1
19	Scroll	87033	1
20	Scroll stop bolt	86929	4
21	Scroll jaws (3 pcs/set)	87034	1 set
22	Scroll body	87035	1
23	Spring washer CM6	81621	6
24	Pan head screw M6x18L	81698	6
25	Hex bolt M6x25L	H98368	4
26	Spring washer CM6	81621	5
27	C Snap ring S-30	87036	1
28	Output shaft pinion	87037	1
29	Parallel pin 8x28L m6	87038	1
30	Hex bolt M6x25L	H98368	6
31	Spring washer CM6	81621	6
32	Gear box	87039	1
33	Ball bearing 5206ZZ	87040	1
34	Key 6x6x40	87041	2
35	Output shaft	87042	1
36	Key 6x6x67	87043	2
37	C Snap ring S-48	87044	1
38	Output shaft low speed gear	87045	1
39	Output shaft high speed gear	87046	1
40	Output shaft spacer	87047	2
41	Ball bearing 6004ZZ	87048	1
42	Ball bearing 6001ZZ	88609	1
43	2nd Shaft reduction gear	81746	1
44	Key 5x5x13	83189	1
45	2nd Shaft pinion	81747	1
46	Ball bearing 6201ZZ	85902	1
47	Ball bearing 6001ZZ	88609	1
48	1st Shaft pinion	81744	1
49	Key 5x5x13	83189	1
50	1st Shaft reduction gear	81745	1
51	Ball bearing 6001ZZ	88609	1
52	Ball bearing 6204ZZ	87049	1
53	Thrust washer FTRC2035 (t2)	87050	1
54	4th Shaft reduction gear	87051	1
55	4th Shaft low speed gear	87052	1
56	Key 6x6x13	83344	4
57	4th Shaft high speed gear	87053	1
58	Output shaft spacer	87047	2
59	Ball bearing 6004ZZ	87048	1
60	Ball bearing 6203ZZ	85906	1
61	3rd Shaft pump gear	87056	1
62	3rd Shaft spacer	87057	1
63	C Snap ring H-35	87058	1
64	Ball bearing 6003ZZ	87059	1
65	3rd Shaft collar	87060	1
66	Ball bearing 6003ZZ	87059	1
67	3rd Shaft pinion	87062	1
68	Key 5x5x13	83189	2
69	3rd Shaft reduction gear	87063	1
70	C Snap ring S-48	87044	1

hammer chuck, scroll and gears

dated: 01/17

Item no.	Description	Article no.	Quantity
71	Key 5x5x13	83189	1
72	3rd Shaft	87065	1
73	Ball bearing 6203ZZ	85906	1
74	Gear box cover	87066	1
75	Shift shaft	87067	1
76	Pan head screw M5x16L precort	87031	3
77	Spring washer M5	84094	3
78	Shift metal	86267	1
79	Shift link	87069	1
80	Shift shoe	87070	1
81	C Snap ring S-16	85904	1
82	BE Gear pump 18AR	87071	1
83	Urethane hose WP15	81656	1
84	Hose clamp Ø12	81657	1
85	Elbow WES8xPT1/4	81661	1
86	Spring washer CM6	81621	3
87	Hex bolt M6x18L	83501	3
88	Connector GES8xPT1/4	81658	1
89	Hose clamp Ø12	81657	1
90	Urethane hose WP15	81656	1
91	Motor 220V-240V	81754	1
91	Motor 100V-120V	81753	1
92	Holder cap	83694	2
93	Carbon brush	83690	1 set
94	Carbon holder	83692	2
95	Spring washer CM6	81621	4
96	Hex bolt M6x25L	H98368	4
97	Key 6x6x13	83344	2
98	Hex bolt M6x65L	86939	1
99	Grease nipple cover RO	87073	1
87074	Hammer chuck compl. RO	87074	1
87075	Armature 100V-120V	87075	1
87076	Stator 220V-240V	87076	1
87078	Stator 100V-120V	87078	1
87079	Armature 220V-240V	87079	1

IMPORTANT! To assure safety and reliability, repairs, maintenance and adjustment must be preformed by ROTHENBERGER Kelkheim or authorized Service-Centers. Always use Original-Service-Parts. Order your accessories and spare parts from your specialist retailer or using our Service After Sales hotline



Item no.	Description	Article no.	Quantity
1	Cutter body	87011	1
2	Cutter handle compl.	87012	1
3	Sleeve	85870	1
4	Thrust bearing 51201	85871	1
5	Cutter blade holder	84687	1
6	Hex socket set bolt M6x18L	85872	1
7	Hex nut M6	85873	1
8	Split pin Ø2x15L	83754	3
9	Cutter washer	85869	1
10	Cutter blade No.3	70074	1
11	Cutter blade set pin	83308	1
12	Cutter roller	83156	2
13	Cutter roller set pin	83308	2
14	Cutter key	85861	1
15	Hex bolt M5x15L	85862	1
16	Spring pin Ø4x25L	85863	1
17	Cutter bracket	85864	1
18	Cutter pin	85865	1
19	Spring pin Ø6x40L	85916	1
20	Spring pin Ø10x40L	85756	1
21	Reamer blade	56200	1
22	Steel ball 1/4	85854	1
23	Spring washer CM6	81621	1
24	Reamer holder	87014	1
25	Spring pin Ø10x32L	85852	1
26	Reamer shaft compl.	85858	1
27	Hex nut M8	FF54352	1
28	Hex socket set bolt M8x15L	86875	1
29	Splashproof plate	85884	1
30	Plain washer M6	85968	2
31	Pan head screw M6x10L	87015	2
32	Die head set pin	85886	1
33	Steel ball 5/16	85805	1
34	Oil adjust spring	83327	1
35	Oil adjust screw	86783	1
36	Hex nut M12	81032	1
37	Reamer set pin	85856	1
38	Hose clamp Ø12	81657	1
39	Elbow WES8xPT1/4	81661	1
40	Street elbow	81673	1
41	Carriage	87016	1
42	Hex socket set bolt M6x22L	86871	1
43	Hex nut M6	84169	1
44	Hex nut M6	84169	1
45	Hex socket set bolt M6x22L	86871	1
46	CE Shaft metal	87017	1
47	CE Rack gear	87018	1
48	Key 5x5x23	87019	1
49	CE Pinion shaft	87020	1
50	Spring pin Ø6x40L	85916	1
51	Rack handle	81631	1
52	CE Rack pinion	87021	1
53	CE Pinion metal	87022	1
A	Pipe cutter compl.	87013	1

IMPORTANT! To assure safety and reliability, repairs, maintenance and adjustment must be performed by ROTHENBERGER Kelkheim or authorized Service-Centers. Always use Original-Service-Parts. Order your accessories and spare parts from your specialist retailer or using our Service After Sales hotline