

K30

K40

Reservdelar

Spare parts

Ersatzteile

Pieces de rechange

Piezas de repuesto

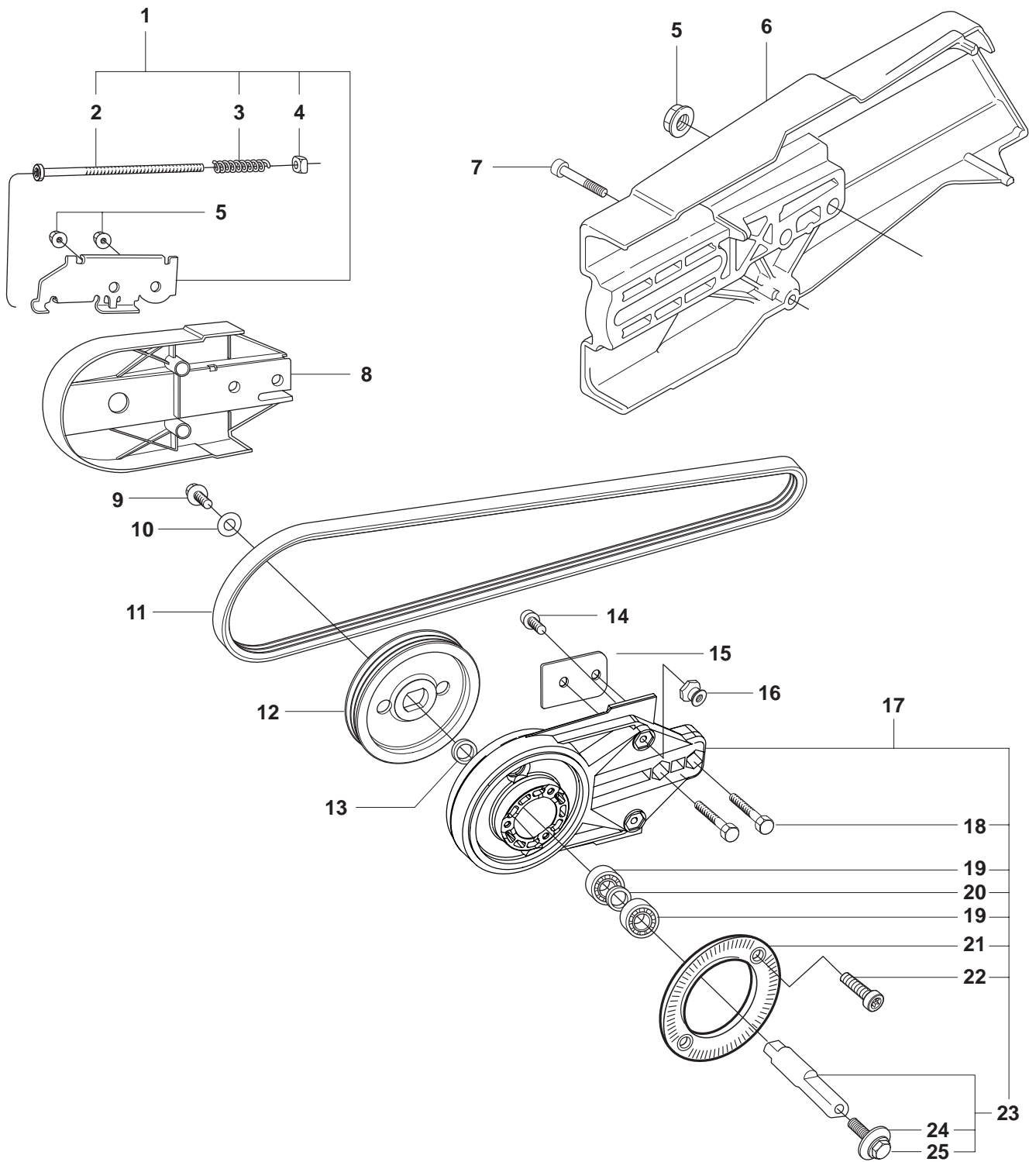
Ricambi

Peças sobresselente

No.	Pos.	Description	No.	Pos.	Description
503 20 00-45	A	SCREW COLLAR	506 19 43-11	D	ROTOR
503 20 72-20	A	SCREW	506 19 44-01	D	AIR CYLINDER
503 21 53-10	A	SCREW	506 19 44-11	D	CYLINDER
503 21 53-12	C	SCREW	506 19 45-01	D	BEARING HOUSING
503 21 53-16	C	SCREW	506 19 46-01	D	BEARING HOUSING
503 21 53-20	AB	SCREW	506 19 47-01	D	ROTOR NUT
503 21 53-26	C	SCREW	506 19 48-01	D	ADJUSTING SLEEVE
503 21 53-30	C	SCREW	506 19 49-01	D	ADJUSTING WASHER
503 21 53-41	C	SCREW	506 19 50-01	D	WASHER
503 21 54-20	E	SCREW	506 19 51-01	D	COVER
503 22 00-01	A	NUT FLANGE	506 19 52-01	D	VALVE
503 22 65-04	C	NUT	506 19 53-01	D	SPRING
503 22 66-01	A	NUT	506 19 54-01	D	HOLDER
503 23 01-04	A	WASHER STEEL	506 19 55-01	D	SPRING
503 23 01-16	A	WASHER STEEL	506 19 56-01	D	WASHER
503 25 00-02	D	BALL BEARING	506 19 57-01	D	BEARING SPACER
503 25 21-01	A	BALL BEARING	506 19 58-01	D	PIN RETAINING SCREW
503 26 30-16	C	O-RING	506 19 59-01	D	PIN RETAINING SCREW
503 26 60-03	E	COUPLER	506 19 60-01	D	PIN RETAINING SCREW
503 26 60-04	E	COUPLER	506 19 61-01	D	PIN RETAINING SCREW
504 63 42-01	E	NIPPLE	506 19 62-01	D	PIN RETAINING SCREW
504 63 44-01	E	HOUSING	506 19 63-01	D	SCREW
504 63 45-01	E	HOUSING	506 19 65-01	D	SCREW
504 63 46-01	E	SCREW	506 19 72-01	C	COUPLING
505 09 54-01	E	HOSE KIT	506 20 18-01	A	SPACING SLEEVE
505 09 55-01	E	HOSE KIT	506 20 41-01	C	MANIFOLD
505 10 35-01	E	O-RING	506 21 95-01	A	COMPRESSION SPRING
505 57 41-16	AB	SCREW	506 23 48-02	C	COVER
506 02 87-01	B	FLANGE WASHER	506 24 34-35	B	LABEL
506 02 88-30	B	BUSHING	506 24 35-25	B	LABEL
506 02 90-02	A	CUTTER ARM	506 26 63-02	B	LINING
506 03 06-03	A	BELT TENSIONER ASSY	506 26 64-01	B	SCREEN PATTERN FLANG
506 03 32-02	AC	SCREW	506 26 65-01	B	FLANGE
506 07 26-07	C	FRONT HANDLE	506 28 41-02	B	LABEL
506 09 87-02	A	BELT GUARD	506 28 41-04	B	LABEL
506 13 95-11	A	WASHER	506 28 41-12	B	LABEL
506 13 96-01	A	COLLAR SCREW	506 28 41-14	B	LABEL
506 14 32-01	A	TORSION STOP	506 28 84-01	A	SCREEN PATTERN FLANG
506 14 42-02	C	GROUND SUPPORT	506 29 57-02	E	NIPPLE
506 14 43-02	C	GROUND SUPPORT	506 29 83-71	A	SHAFT
506 19 06-01	CD	FITTING	506 29 88-01	E	FILTER
506 19 08-01	CD	HANDLE	506 30 97-05	A	LABEL
506 19 10-01	C	HOSE	506 32 48-01	B	SUPPORT FLANGE
506 19 11-01	C	OILER	506 34 05-42	B	WHEEL GUARD ASSY
506 19 12-01	D	COVER	506 34 05-44	B	WHEEL GUARD ASSY
506 19 13-01	D	GASKET	506 34 46-02	B	HANDLE
506 19 15-01	D	BALL BEARING	506 37 96-20	B	BUSHING
506 19 16-02	D	ROTOR BLADE, SET	506 37 96-22	B	BUSHING
506 19 16-11	D	ROTOR BLADE, SET	506 37 96-25	B	BUSHING
506 19 17-01	C	GRIP	506 38 26-01	F	COMBINATION TOOL
506 19 18-01	D	LEVER	506 38 60-12	E	VALVE ASSY
506 19 20-02	C	ENGINE PLATE	506 41 34-04	A	BEARING HOUSING
506 19 23-02	C	SPACER	506 49 87-01	E	HOSE CLAMP
506 19 26-01	D	VALVE	506 49 87-02	E	HOSE CLAMP
506 19 27-01	D	WASHER	506 60 68-06	E	HOSE
506 19 28-01	D	SHAFT	506 60 75-01	E	HOSE
506 19 29-01	D	SPRING	525 60 64-01	C	DRIVING PULLEY
506 19 31-01	D	SLEEVE	525 60 65-01	A	SPACER
506 19 32-01	D	SPRING	544 21 84-20	CD	SCREW
506 19 32-11	D	SPRING	544 92 68-01	E	INTERLAYER
506 19 34-01	D	HOLDER	544 97 63-03	A	BELT
506 19 35-01	D	REGULATOR WEIGHT	544 98 09-01	A	PULLEY
506 19 35-11	D	WEIGHT	721 68 01-51	C	HAIR PIN COTTER
506 19 37-01	D	SHAFT	723 12 89-51	D	SCREW
506 19 38-01	D	VALVE	724 32 91-01	D	SCREW
506 19 39-01	D	KNOB	725 52 95-55	D	SCREW
506 19 40-01	D	SPRING	725 52 99-05	D	SCREW
506 19 41-01	D	THROTTLE VALVE	725 53 70-55	D	SCREW
506 19 42-01	D	HOUSING	731 23 14-05	D	NUT
506 19 43-01	D	ROTOR	732 21 14-01	C	LOCK NUT

No.	Pos.	Description	No.	Pos.	Description
735 11 53-50	D	WASHER			
735 21 36-51	D	LOCK WASHER			
740 48 27-02	C	O-RING			

A K30/K40



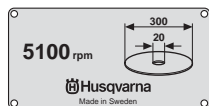
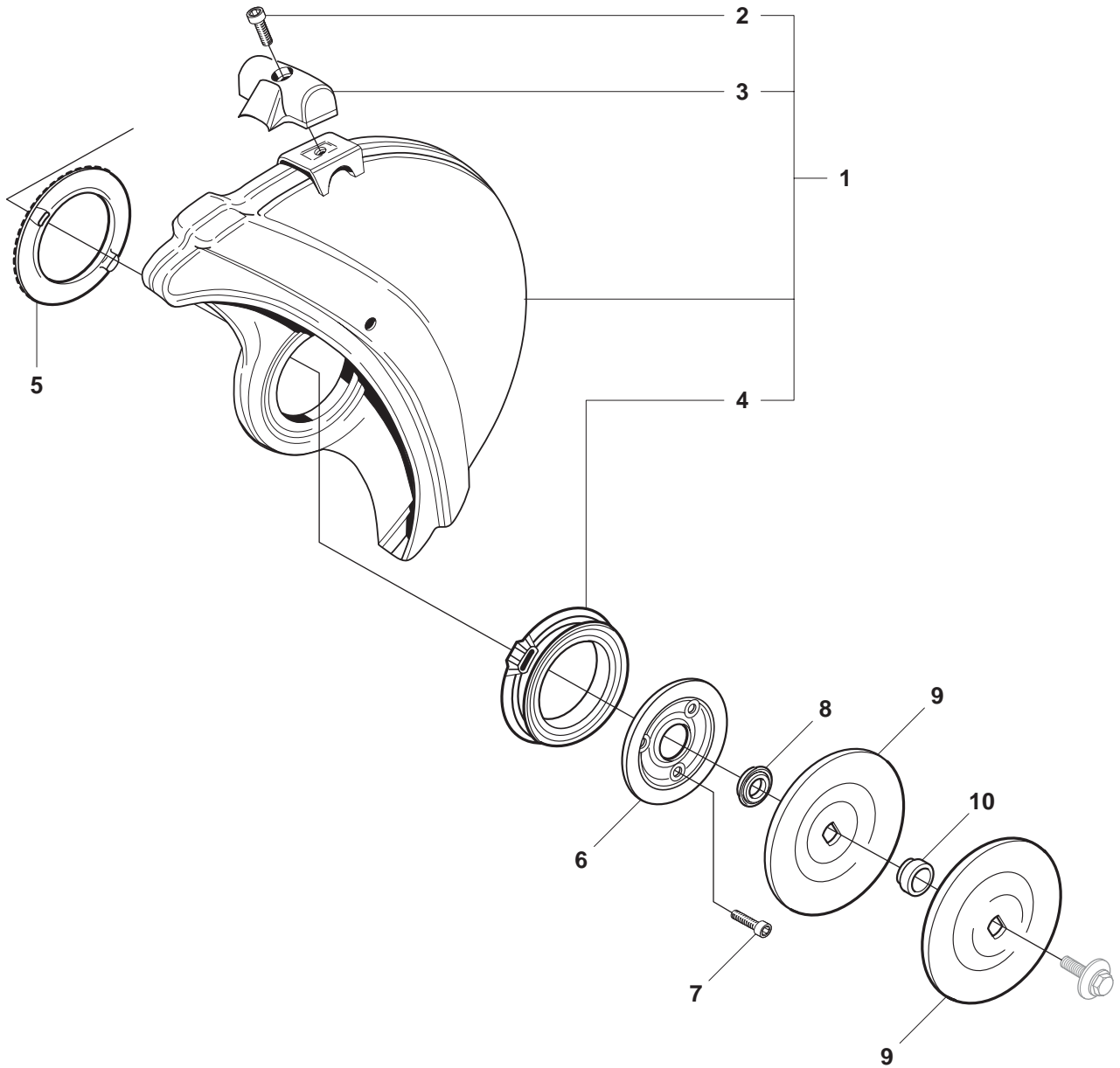
★Vベルトの張り直し
 Vベルトカバー上の2個のナットを締め、V
 ベルトカバーの上部を調整し、V
 ベルトの張り直しを完了させます。



26

Page A
K30/K40

Pos.	Part No.	Description	Quantity	Notes	New Part
1	506 03 06-03	BELT TENSIONER ASSY	1	Incl. 2 - 4	New Part
2	503 20 72-20	SCREW	1		New Part
3	506 21 95-01	COMPRESSION SPRING	1		
4	503 22 66-01	NUT	1		
5	503 22 00-01	NUT FLANGE	4		
6	506 02 90-02	CUTTER ARM	1		
7	503 21 53-20	SCREW	1		New Part
8	506 09 87-02	BELT GUARD	1		New Part
9	503 20 00-45	SCREW COLLAR	1		
10	503 23 01-16	WASHER STEEL	1		
11	544 97 63-03	BELT	1		New Part
12	544 98 09-01	PULLEY	1		New Part
13	503 23 01-04	WASHER STEEL	1		
14	505 57 41-16	SCREW	1		New Part
15	525 60 65-01	SPACER	1		New Part
16	506 14 32-01	TORSION STOP	1		
17	506 41 34-04	BEARING HOUSING	1	Incl. 18 - 23	New Part
18	506 03 32-02	SCREW	2		
19	503 25 21-01	BALL BEARING	2		
20	506 20 18-01	SPACING SLEEVE	1		
21	506 28 84-01	SCREEN PATTERN FLANG	1		
22	503 21 53-10	SCREW	2		New Part
23	506 29 83-71	SHAFT	1	Incl. 24 - 25	
24	506 13 95-11	WASHER	1		
25	506 13 96-01	COLLAR SCREW	1		
26	506 30 97-05	LABEL	1	Japan only	New Part



11

△ 取扱上のご注意 △

パートナーカッターは、取扱いを誤ると危険を及ぼすことがあります。安全作業のために取扱説明書に従ってください。

- このパートナーカッターは、全ての使用方法、メンテナンス方法、安全表示内容を、よく読み、理解し、必ず理解してから使用してください。
- 高速回転して燃えたら、パートナーカッターとして取扱われた場合は必ず使用できません。
- 使用時に注意、チェーンカッターに燃焼がなければ使用してはいけません。
- 燃焼は、燃焼停止後、ヘルメット、安全眼鏡、安全手袋など、着用して下さい。
- 燃焼時は、作業停止を指示して下さい。
- アドバンスパイア機能を使用時に燃焼を必ず抑制して下さい。
- 燃焼時は、ブレーキをしっかりと、常に押付けないして下さい。
- 燃焼時の発生騒音については必ず確認して下さい。

12

※ 注意

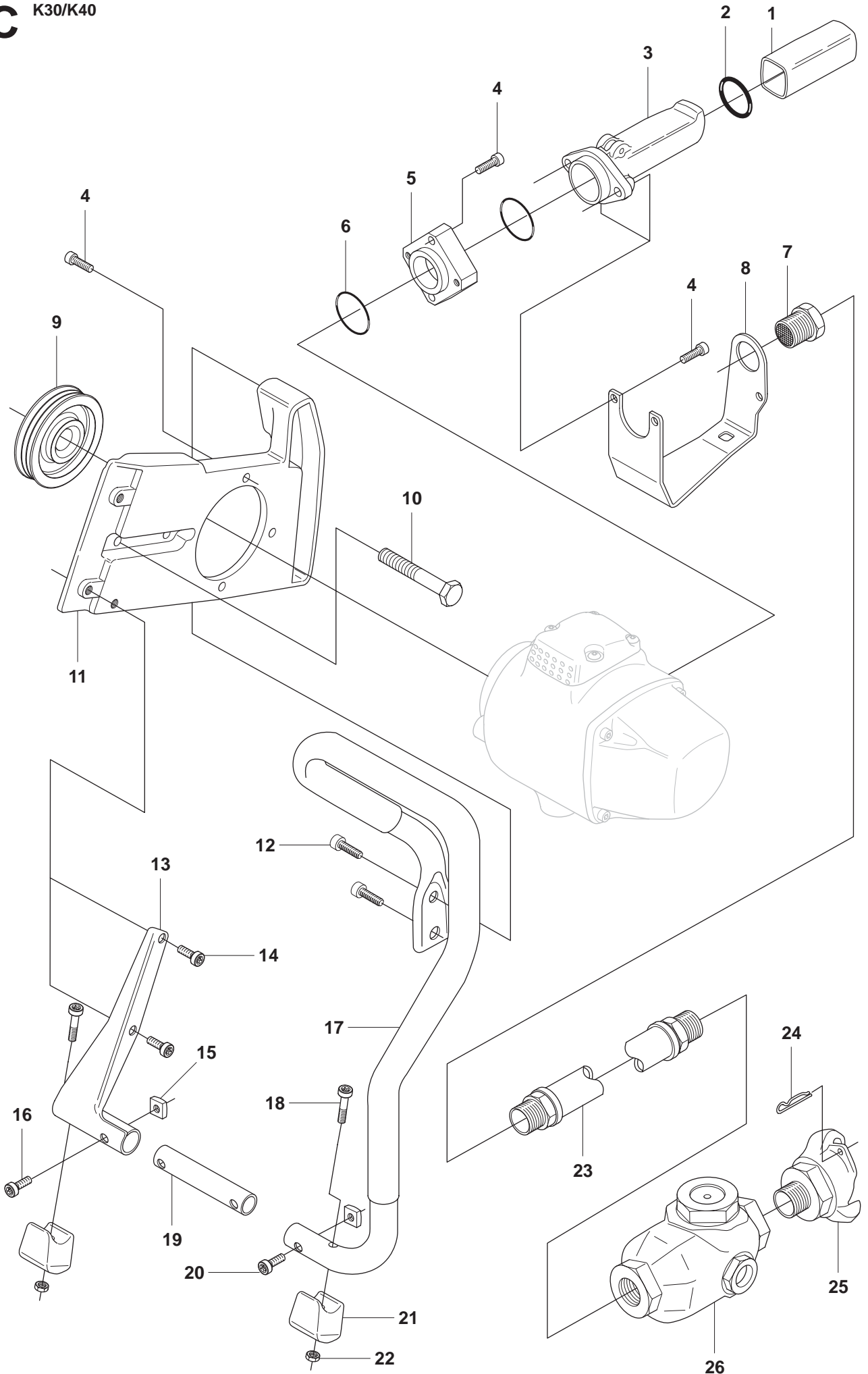
本機に使用するカッターディスク(替刃)は輸入品、国産品ともにメーカー指定品を御使用下さい。ディスクには必ずHusqvarna (ハスクバーナ)の表示があります。指定外のディスクは安全性に欠けます。指定外のディスクを使用時の事故については、当社は責任を負いません。尚、取扱説明書をよくお読みの上御使用下さい。

13

Page B
K30/K40

Pos.	Part No.	Description	Quantity	Notes	New Part
1	506 34 05-42	WHEEL GUARD ASSY	1	12", Incl. 2 - 4	New Part
1	506 34 05-44	WHEEL GUARD ASSY	1	14", Incl. 2 - 4	New Part
2	503 21 53-20	SCREW	1		New Part
3	506 34 46-02	HANDLE	1		New Part
4	506 26 63-02	LINING	1		New Part
5	506 26 64-01	SCREEN PATTERN FLANG	1		New Part
6	506 26 65-01	FLANGE	1		New Part
7	505 57 41-16	SCREW	3		New Part
8	506 32 48-01	SUPPORT FLANGE	1		New Part
9	506 02 87-01	FLANGE WASHER	2	Diam 105 mm	New Part
10	506 37 96-20	BUSHING	1	Diam 20 mm	New Part
10	506 37 96-22	BUSHING	1	Diam 22,2 mm	New Part
10	506 37 96-25	BUSHING	1	Diam 25,4 mm	New Part
10	506 02 88-30	BUSHING	1	Diam 30,5 mm	New Part
11	506 28 41-04	LABEL	1	12", Diam 1"	New Part
11	506 28 41-02	LABEL	1	12", Diam 20 mm	New Part
11	506 28 41-14	LABEL	1	14", Diam 1"	New Part
11	506 28 41-12	LABEL	1	14", Diam 20 mm	New Part
12	506 24 34-35	LABEL	1	Japan only	New Part
13	506 24 35-25	LABEL	1	Japan only	New Part

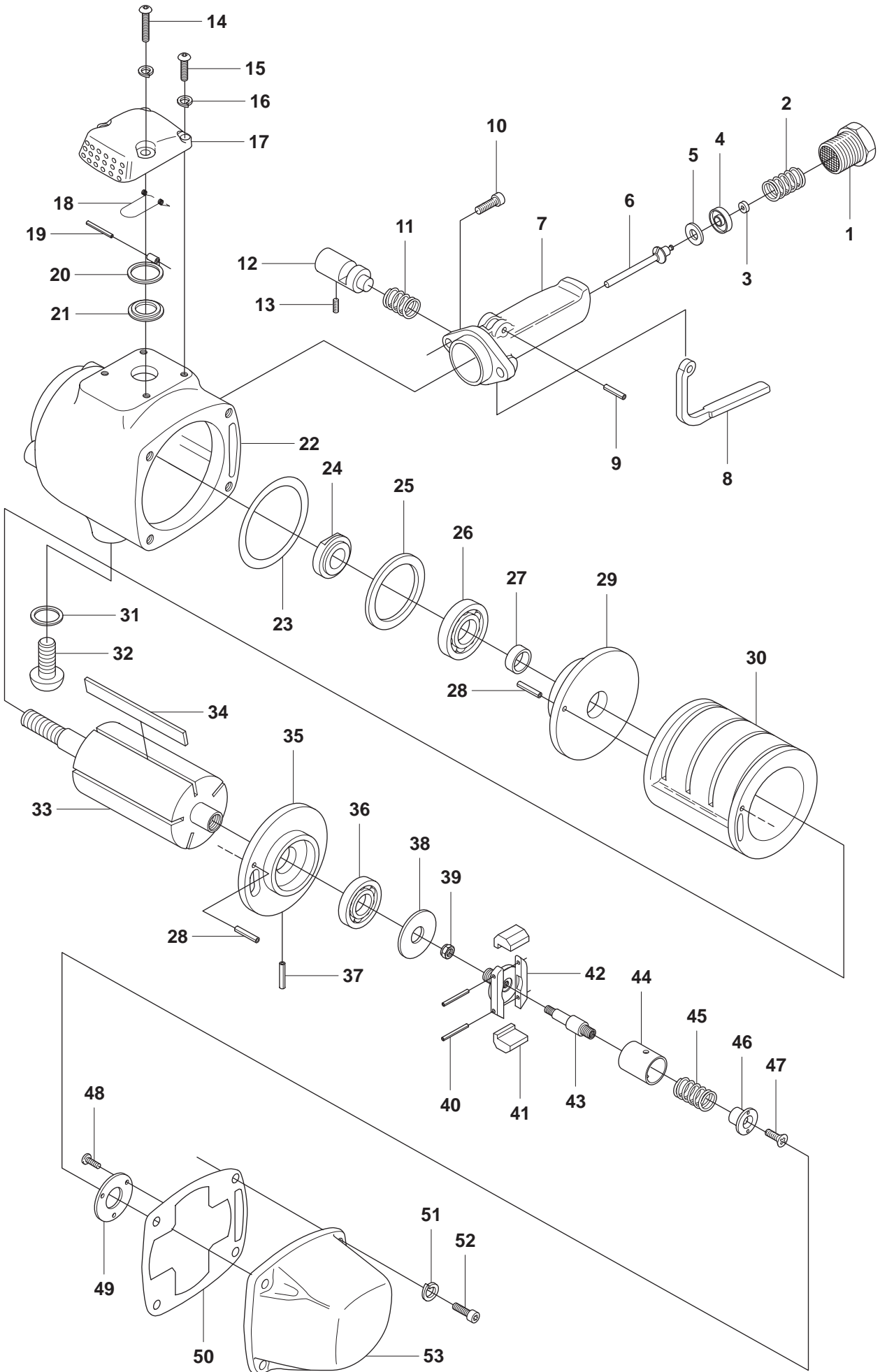
C K30/K40



Page C
K30/K40

Pos.	Part No.	Description	Quantity	Notes	New Part
1	506 19 17-01	GRIP	1		
2	503 26 30-16	O-RING	1		
3	506 19 08-01	HANDLE	1		
4	544 21 84-20	SCREW	8		New Part
5	506 20 41-01	MANIFOLD	1		
6	740 48 27-02	O-RING	2		
7	506 19 06-01	FITTING	1		
8	506 23 48-02	COVER	1		
9	525 60 64-01	DRIVING PULLEY	1		New Part
10	506 03 32-02	SCREW	2		
11	506 19 20-02	ENGINE PLATE	1		
12	503 21 53-16	SCREW	2		New Part
13	506 14 42-02	GROUND SUPPORT	1		New Part
14	503 21 53-12	SCREW	2		New Part
15	503 22 65-04	NUT	2		
16	503 21 53-30	SCREW	1		New Part
17	506 07 26-07	FRONT HANDLE	1		New Part
18	503 21 53-41	SCREW	2	K40	New Part
19	506 19 23-02	SPACER	1		
20	503 21 53-26	SCREW	1		New Part
21	506 14 43-02	GROUND SUPPORT	2	K40	
22	732 21 14-01	LOCK NUT	2	K40	
23	506 19 10-01	HOSE	1		
24	721 68 01-51	HAIR PIN COTTER	1		
25	506 19 72-01	COUPLING	1		
26	506 19 11-01	OILER	1		

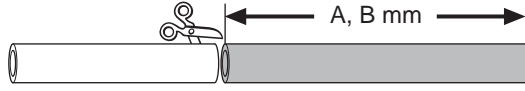
D K30/K40



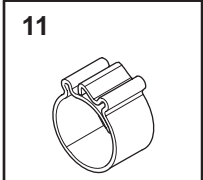
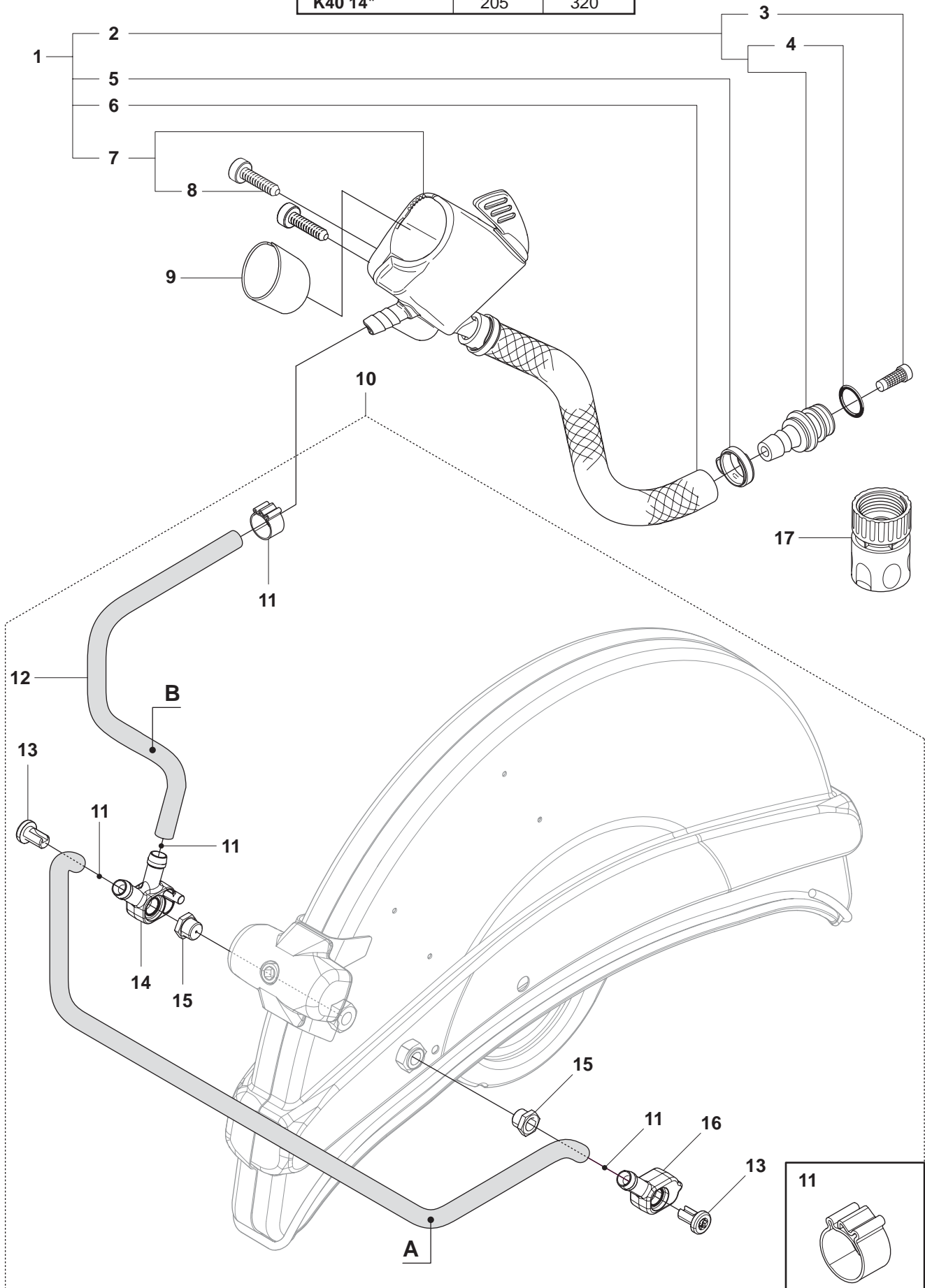
Page D
K30/K40

Pos.	Part No.	Description	Quantity	Notes	New Part
1	506 19 06-01	FITTING	1		
2	506 19 29-01	SPRING	1		
3	506 19 41-01	THROTTLE VALVE	1		
4	506 19 27-01	WASHER	1		
5	506 19 26-01	VALVE	1		
6	506 19 28-01	SHAFT	1		
7	506 19 08-01	HANDLE	1		
8	506 19 18-01	LEVER	1		
9	506 19 58-01	PIN RETAINING SCREW	1		
10	544 21 84-20	SCREW	2		New Part
11	506 19 40-01	SPRING	1		
12	506 19 39-01	KNOB	1		
13	506 19 65-01	SCREW	1		
14	725 52 99-05	SCREW	2		
15	725 52 95-55	SCREW	2		
16	735 21 36-51	LOCK WASHER	4		
17	506 19 51-01	COVER	1	K40	
18	506 19 53-01	SPRING	1		
19	506 19 60-01	PIN RETAINING SCREW	1		
20	506 19 54-01	HOLDER	1		
21	506 19 52-01	VALVE	1		
22	506 19 42-01	HOUSING	1	K40	
23	506 19 49-01	ADJUSTING WASHER	1		
24	506 19 47-01	ROTOR NUT	1		
25	506 19 57-01	BEARING SPACER	1		
26	506 19 15-01	BALL BEARING	1		
27	506 19 48-01	ADJUSTING SLEEVE	1		
28	506 19 61-01	PIN RETAINING SCREW	2		
29	506 19 46-01	BEARING HOUSING	1		
30	506 19 44-11	CYLINDER	1	K30	
30	506 19 44-01	AIR CYLINDER	1	K40	
31	506 19 55-01	SPRING	1		
32	506 19 63-01	SCREW	1		
33	506 19 43-11	ROTOR	1	K30	
33	506 19 43-01	ROTOR	1	K40	
34	506 19 16-11	ROTOR BLADE, SET	5	K30	
34	506 19 16-02	ROTOR BLADE, SET	5	K40	
35	506 19 45-01	BEARING HOUSING	1		
36	503 25 00-02	BALL BEARING	1		
37	506 19 62-01	PIN RETAINING SCREW	1		
38	506 19 50-01	WASHER	1		
39	731 23 14-05	NUT	1		
40	506 19 59-01	PIN RETAINING SCREW	2		
41	506 19 35-11	WEIGHT	2	K30	
41	506 19 35-01	REGULATOR WEIGHT	2	K40	
42	506 19 34-01	HOLDER	1		
43	506 19 37-01	SHAFT	1		
44	506 19 31-01	SLEEVE	1		
45	506 19 32-11	SPRING	1	K30	
45	506 19 32-01	SPRING	1	K40	
46	506 19 38-01	VALVE	1		
47	724 32 91-01	SCREW	1		
48	723 12 89-51	SCREW	3		
49	506 19 56-01	WASHER	1		
50	506 19 13-01	GASKET	1		
51	735 11 53-50	WASHER	4		
52	725 53 70-55	SCREW	4		
53	506 19 12-01	COVER	1		

E K30/K40

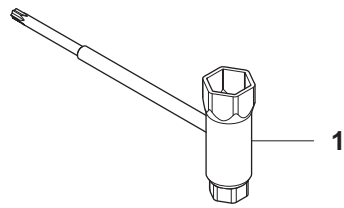


	A (mm)	B (mm)
K30 12"	165	320
K40 14"	205	320



Page E
K30/K40

Pos.	Part No.	Description	Quantity	Notes	New Part
1	505 09 55-01	HOSE KIT	1	Incl. 2, 5 - 7	New Part
2	506 29 57-02	NIPPLE	1	Incl. 3, 4	
3	506 29 88-01	FILTER	1		
4	505 10 35-01	O-RING	1		New Part
5	506 49 87-02	HOSE CLAMP	2		New Part
6	506 60 75-01	HOSE	1		New Part
7	506 38 60-12	VALVE ASSY	1	Incl. 8	New Part
8	503 21 54-20	SCREW	2		New Part
9	544 92 68-01	INTERLAYER	1		New Part
10	505 09 54-01	HOSE KIT	1	Incl. 11 - 16	New Part
11	506 49 87-01	HOSE CLAMP	4		New Part
12	506 60 68-06	HOSE	1	320 mm	New Part
13	504 63 46-01	SCREW	2		New Part
14	504 63 44-01	HOUSING	1		New Part
15	504 63 42-01	NIPPLE	2		New Part
16	504 63 45-01	HOUSING	1		New Part
17	503 26 60-03	COUPLER	1	USA	New Part
17	503 26 60-04	COUPLER	1		New Part



Page F
K30/K40

Pos.	Part No.	Description	Quantity	Notes	New Part
1	506 38 26-01	COMBINATION TOOL	1		New Part